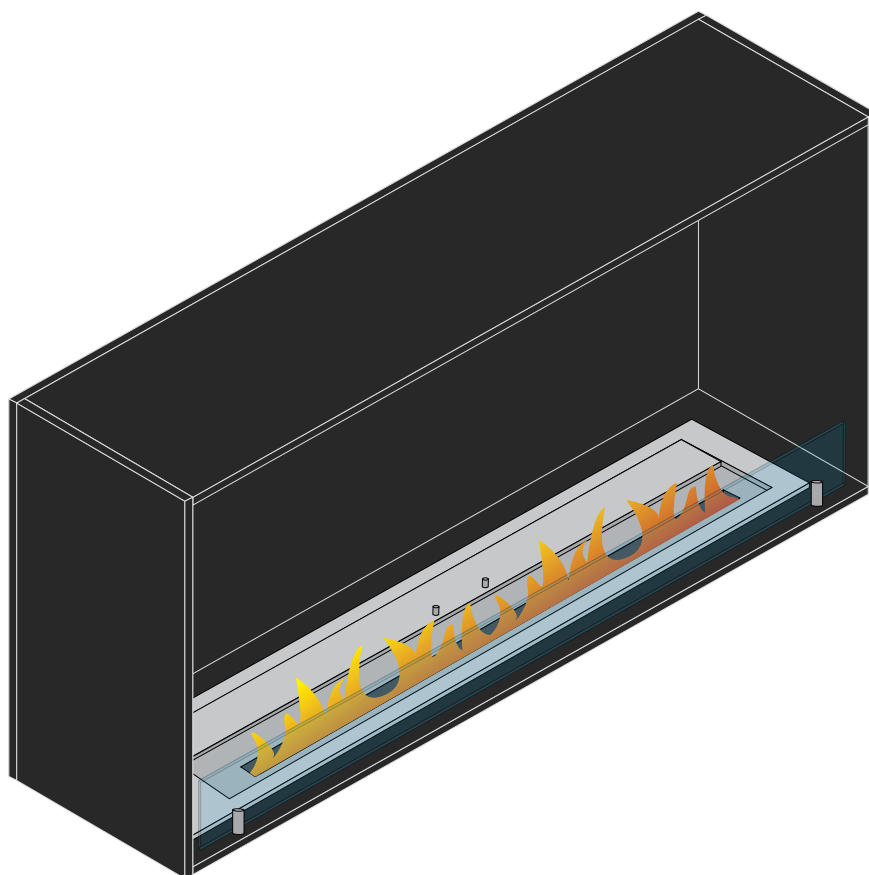


# Foco Fireplace

## Installation and placement guidance

Please read and understand these instructions completely before installing or operating your Foco fireplace.

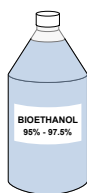


### Warning

If instructions given in this manual is not followed exactly, a fire or explosion can occur causing property damage, personal injury or loss of life.



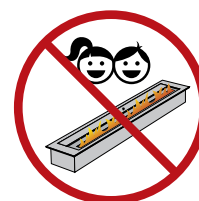
Do not fill while in use



Only use correct fuel



Flammable



Keep away from children

The fuel must be bioethanol for bioethanol fireplaces with an alcohol percentage of 86-97.5%. Do not use bioethanol gel, thick and viscous fuels or fuels of improper electric conductivity. Other fuels, such as dehydrated ethanol or similar, will cause device malfunction and loss of the product warranty. Fuels consisting of 100% by volume ethanol will damage the device.

**Recommended fuel is bioethanol consisting of 95-97.5% ethanol per volume.**

# Language

 Dansk.....

 Français.....

 Deutsch.....

 Norsk.....

 Dutch.....

 Polskie.....

 English.....

 Suomi.....

 Española.....

 Svenska.....

*Scan the QR code with your phone*

# Table of Contents

<b>1. Foco Fireplace Placement .....</b>	<b>4</b>
1.1 Installation and placement guidance.....	4
1.2 Minimum room size.....	5
<b>2. Foco Installation .....</b>	<b>5</b>
2.1 Framing .....	5
2.2 Definitions .....	5
2.3 Before starting installation.....	6
<b>3. Built-in Installation .....</b>	<b>7</b>
3.1 Foco One.....	7
3.2 Foco Two.....	12
3.3 Foco Three .....	17
3.4 Foco Room Divider.....	22
3.5 Foco Corner .....	27
3.6 Foco Four.....	32
3.7 Foco Four.....	37
<b>4. Burner Technical Specifications .....</b>	<b>41</b>
4.1 Slimline Manual Burner.....	41
4.2 Superior Manual Burner.....	42
4.3 Planika PrimeFire .....	43
4.4 Planika FLA3.....	44
4.4 Planika FLA3+ .....	45

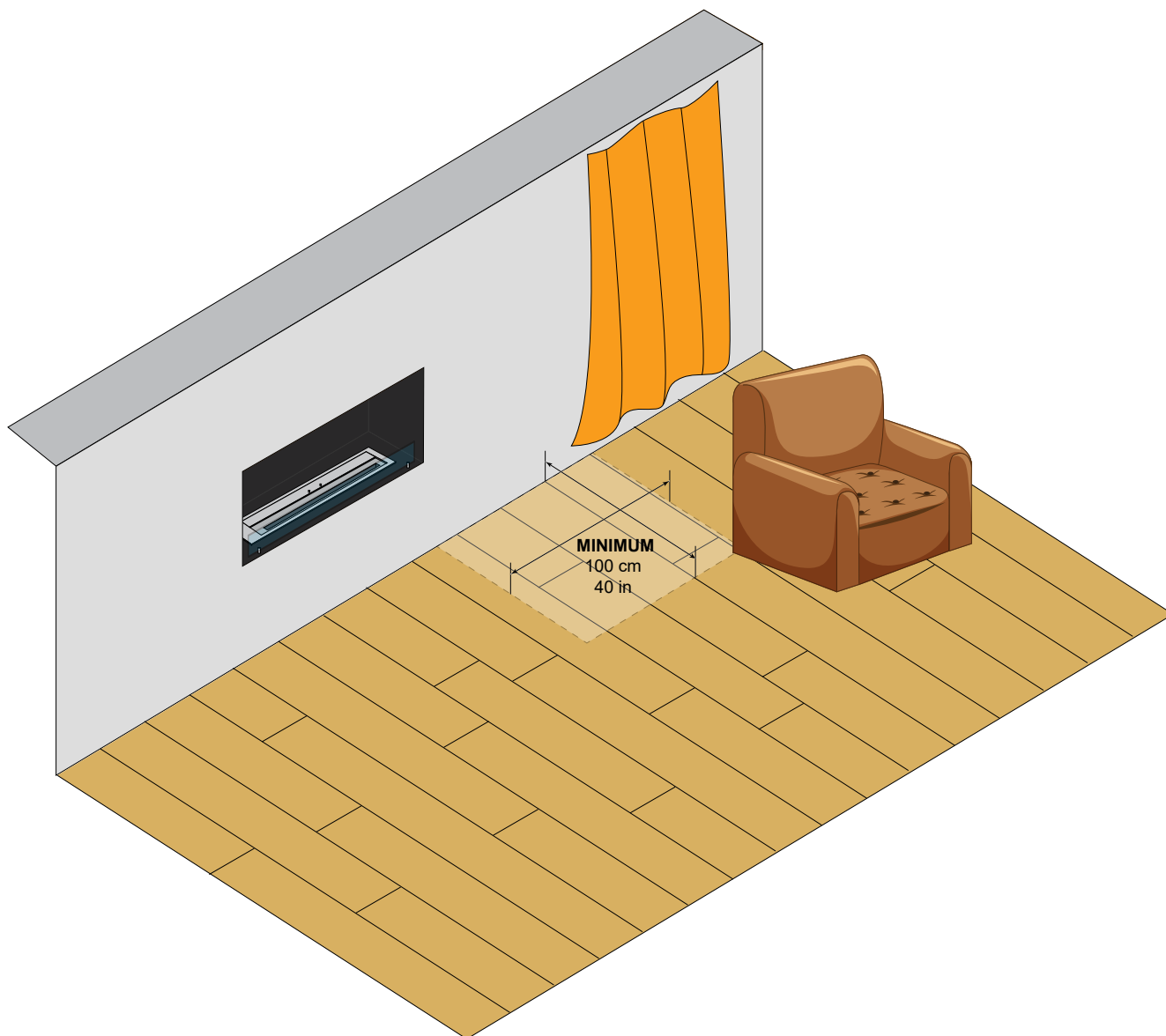
# 1. Foco Fireplace Placement

## 1.1 Installation and placement guidance

- For indoor use and in housing use only.
- No heat-sensitive and flammable objects can be placed within 1 meter (40 inch) from, and directly above, the device.
- Do not place any objects on the top of the device.
- When selecting a location for the fireplace it is important to consider the required room size and clearances to walls and combustible materials. (See image below and Room Size Table page 5).
- It is recommended to have a room air exchange rate of min. 1/hr.
- Keep children, animals and unauthorised persons at a safe distance at all times and never leave them unsupervised when the fireplace is on or hot.
- Do not use the fireplace in humid and drafty spaces.
- Some burner options has top ventinaltion openings, they must not be covered.

**WARNING: Risk of fire or burns! Provide adequate clearance around air openings and for service access. Observe the clearances to flammable objects recommended in this manual and the burner manual. Ensure that your fire is positioned away from flammable materials and other sources of ignition at all times.**

**Due to high temperatures, the fireplace should be located out of traffic and with a safe distance to furniture and curtains. Pay very close attention to objects that can be moved as a result of draft and wind.**



## 1.2 Minimum room size

Foco model	Burner	Minimum room size	Heat Output
<b>Foco 600</b>	Manual burner 450	35 cubic meters	2.17 kW
<b>Foco 800</b>	Manual burner 600	45 cubic meters	3.28 kW
	Automatic burner 700	50 cubic meters	3,75 kW
	Planika PrimeFire 700	44 cubic meters	4.4 kW
<b>Foco 1000</b>	Manual burner 800	75 cubic meters	4.92 kW
	Automatic burner 700	50 cubic meters	3,75 kW
	Planika PrimeFire 700	44 cubic meters	4.4 kW
	Planika FLA3/FLA3+ 790	44 cubic meters	4.4 kW
<b>Foco 1200</b>	Manual burner 1000	100 cubic meters	6.56 kW
	Automatic burner 1000	90 cubic meters	6,2 kW
	Planika PrimeFire 990+	70 cubic meters	7 kW
	Planika FLA3/FLA3+ 990	70 cubic meters	7 kW
<b>Foco 1400</b>	2x Manual burner 600	90 cubic meters	8 kW

A Foco bioethanol fireplace is not for use as a primary heat source. It is instead intended as a supplement room heater or as a decorative appliance. It should not be factored in as primary heat in residential heating calculations.

## 2. Foco Installation

The fireplace must be fully assembled into a fixed secure position before being operated.

Notice: Do not install directly beside or near wallpaper, laminate or other surfaces that are not designed to withstand heat and high temperatures (the heat will impact the material, and in some circumstances, the glue used for its application).

The area around the fireplace gets hot. Heat sensitive objects and materials should not be used. Do not place flammable objects on or around the device.

- The Foco fireplace is not designed to incorporate doors or opening covers.
- The Foco fireplace must remain open at all times for ventilation - it is not designed to be operated as an encapsulated fireplace. The fire must have a constant supply of air to operate and be able to circulate and distribute the heat effectively.
- Do not modify the Foco frame or bioethanol burner in any way.
- The appliance may give off small noises due to expanding and contracting caused by heating. This is normal.

### 2.1 Framing

- The appliance must be installed on a level surface capable of supporting the weight of the appliance, burner at full capacity.
- The dimensions shown in the instructions are the optimum dimensions that allow the best fit.

**IMPORTANT!:** The wall and framing around the Foco fireplace must be self-supporting. The Foco is not load-bearing.

### 2.2 Definitions

Combustible materials - materials made of or surfaced with wood, compressed paper, plant fibres, plastic, or other material that can ignite and burn shall be considered combustible.

**Non-combustible materials** - materials that will not ignite and burn. Such materials can be, but are not restricted to, steel, iron, brick, tile, concrete, slate, glass or heat-resistant plasters- and fiberboards, and any combinations thereof.

Products like HardieBacker® boards, WonderBoard®, Promafour® plates, Promatect® plates, Super-isol® plates, Insulfrax® plates, Skamotec® boards or similar materials that are reported as passing ASTM E 136, Standard Test Method for Behavior of Materials in a Vertical Tube Furnace at 750C shall also be considered non-combustible materials.

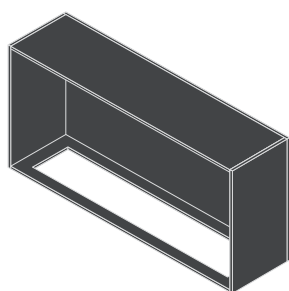
## 2.3 Before starting installation

- Prepare the following equipment: Power drill, screws, screwdriver, spirit level
- Carefully remove the fireplace and components from the packaging
- Inspect and report any parts damaged in shipment
- Read all of the instructions before starting the installation. Follow these instructions carefully during the installation to ensure maximum safety.

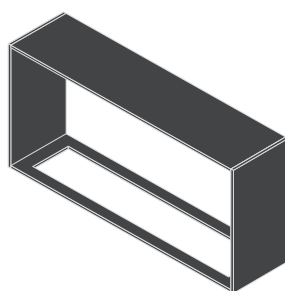
**Warning: Do not install damaged or incomplete components. Risk of fire or explosion! Damaged parts could impair the safe operation and use of the fireplace.**

**NOTE: Illustrations in this manual reflects typical installations scenarios. Illustrations and diagrams are not drawn to scale. Actual installation may vary du to individual design preferences.**

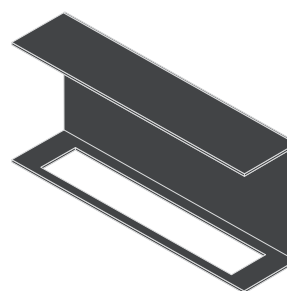
Some Foco frames might require assembly before installation. Please follow the frame assembly manual included with the fireplace.



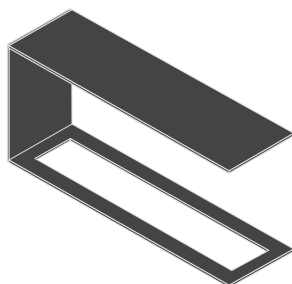
Foco One



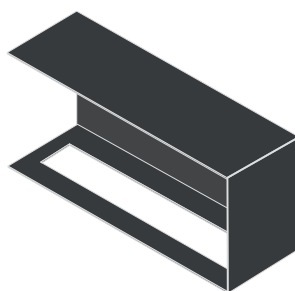
Foco Two



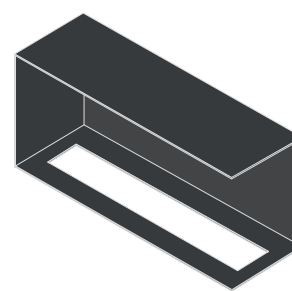
Foco Three



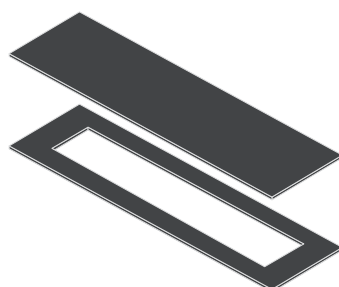
Foco Room Divider



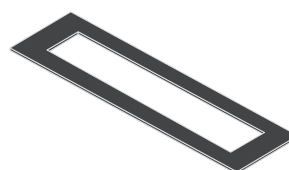
Foco Corner Left



Foco Corner Right



Foco Four



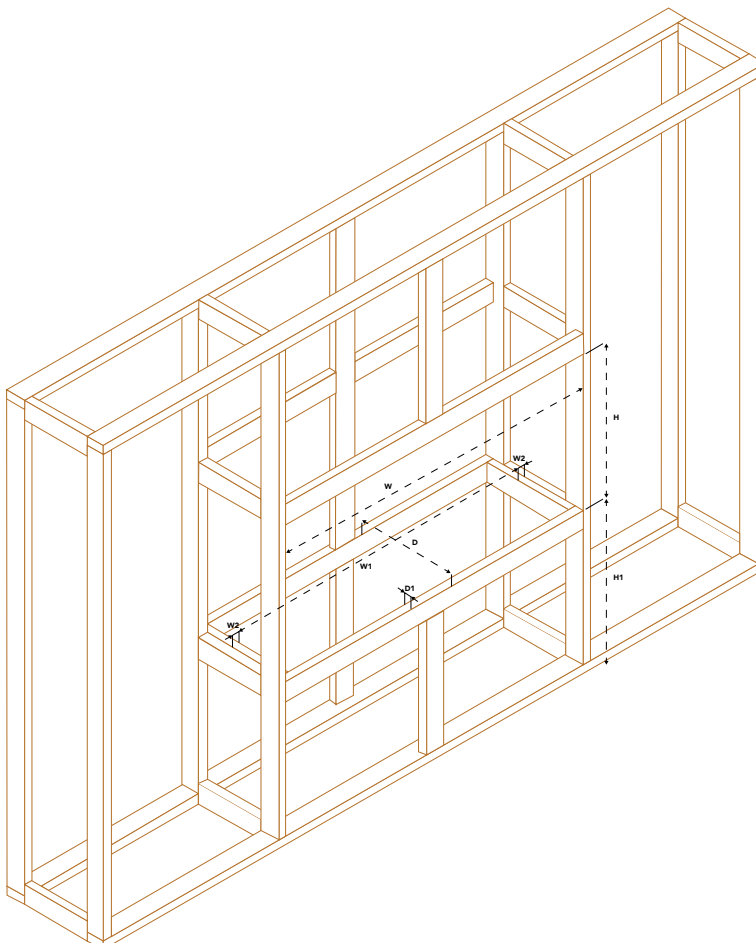
Foco Free

# 3. Built-in Installation

## 3.1 Foco One

### 3.1.1 Built framework

Construct the main wall framework in your preferred material. The finished framework should have an opening for the Foco frame as shown in Table A.



**NOTE:** Remember to make room for heat-resistant insulation around the fireplace frame. Therefore the thickness of the insulation boards should be added to all dimensions noted with x. Bord thickness is often either 12.5mm or 15mm but can vary depending on the product you choose to use.

**Table A - Framework opening size**

Foco model	W	W1 min	W2 max	D min <sup>2</sup>	D1 max	H	H1 min
	(mm)	(mm)	(mm)	(mm)	(mm)	(mm)	(mm)
Foco One 600 Slim	600 + (2*x)	450	50	200 + x	30	500 + (2*x)	80
Foco One 1000 Slim	1000 + (2*x)	800	80	200 + x	30	500 + (2*x)	80
Foco One 1200 Slim	1200 + (2*x)	1000	80	200 + x	30	500 + (2*x)	80
Foco One 800 Medium	800 + (2*x)	600 <sup>1</sup>	80 <sup>1</sup>	300 + x	80 <sup>1</sup>	500 + (2*x)	80 <sup>1</sup>
Foco One 1100 Medium	1100 + (2*x)	1000 <sup>1</sup>	40 <sup>1</sup>	300 + x	80 <sup>1</sup>	500 + (2*x)	80 <sup>1</sup>
Foco One 800	800 + (2*x)	600 <sup>1</sup>	80 <sup>1</sup>	400 + x	110 <sup>1</sup>	500 + (2*x)	80 <sup>1</sup>
Foco One 1000	1000 + (2*x)	800 <sup>1</sup>	80 <sup>1</sup>	400 + x	110 <sup>1</sup>	500 + (2*x)	80 <sup>1</sup>
Foco One 1200	1200 + (2*x)	1000 <sup>1</sup>	80 <sup>1</sup>	400 + x	110 <sup>1</sup>	500 + (2*x)	80 <sup>1</sup>
Foco One 1400 Double	1400 + (2*x)	1300	40	400 + x	110	500 + (2*x)	80 <sup>1</sup>

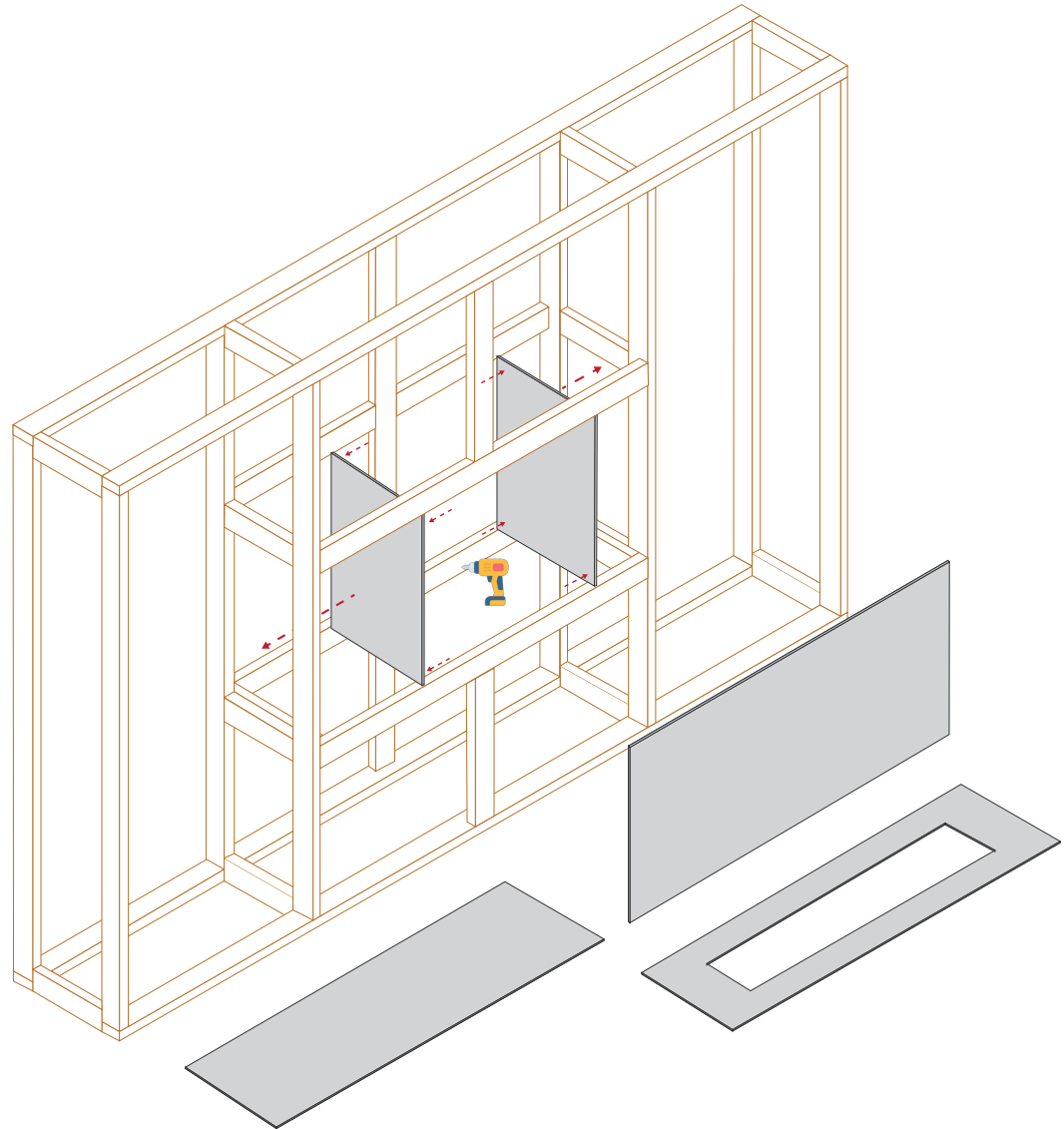
**X = Insulation Board Thickness**

Additional Table A information next page →

<sup>1</sup> Can vary depending on burner type. The dimensions shown are for a standard manual burner. Please check your specific required burner cutout size, if your fireplace is equipped with another burner.

<sup>2</sup> **IMPORTANT** - If you want the finished wall to go flush with the fireplace frame, you need to subtract the thickness of the wall finishing materials from the dimensions of the framework. This will make the Foco frame protrude from the framework equivalent to the thickness of the wall finishing material. **See 3.1.3 for more information.**

### 3.1.2 Insulation board



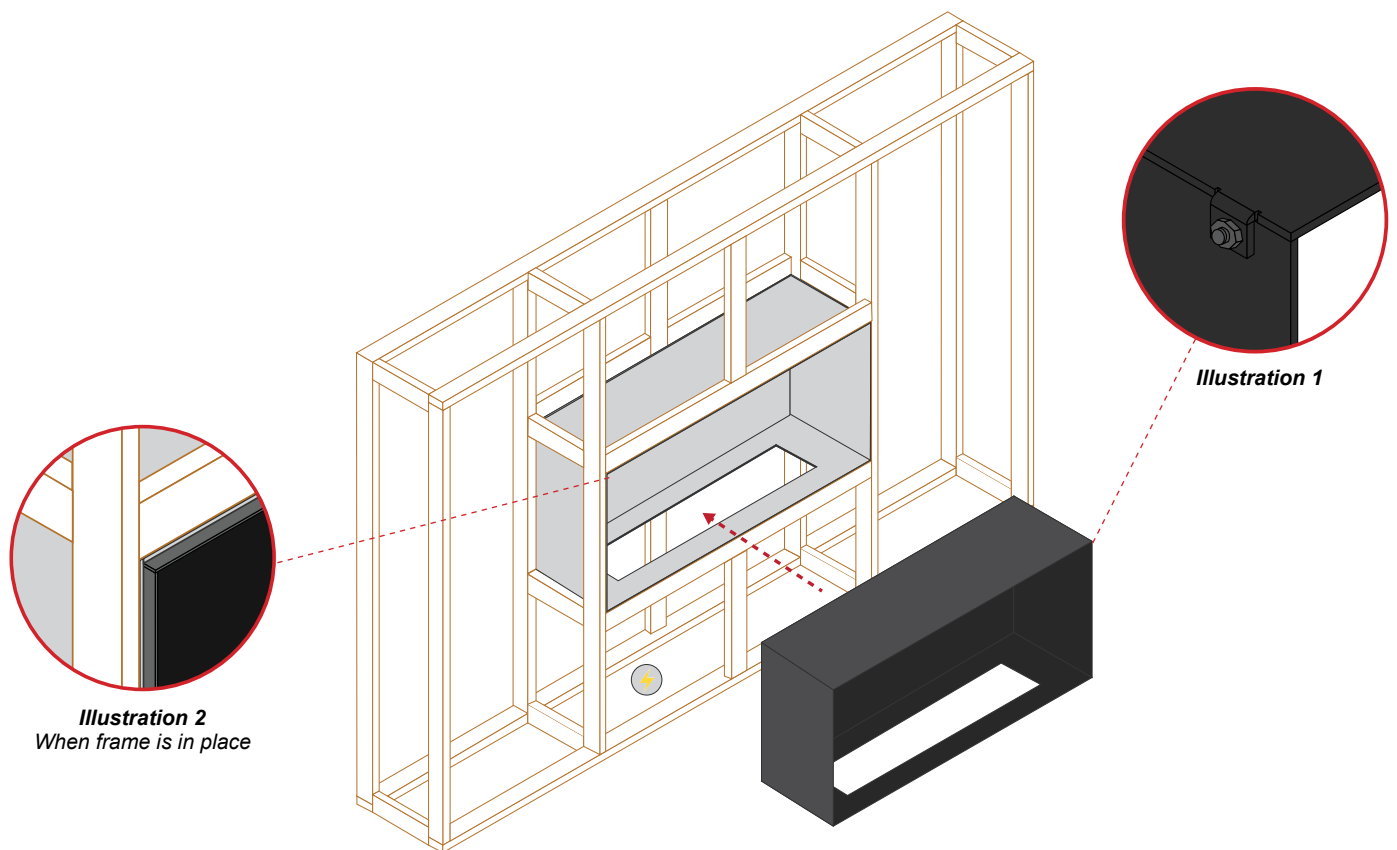
a) Cut your insulation boards into size, so that they will fit into your framework. Fasten them using a power drill and screws.

The insulation board is sold separately and can be purchased at your local hardware shop. See 2.2 *Definition* for more information about insulation boards.

The idea of the insulation boards is to create a heat-resistant spacer between the wooden wall frame and the fireplace frame so that there is no direct contact. If the framework is made of a non-flammable material like e.g. steel the insulation boards are not needed.



### 3.1.3 Insert frame



a) If your bioethanol burner requires electricity to be operated provide an electricity connection with easy access inside the framework. If your burner offers the opportunity to connect a Smart Home System any additional required cables should also be routed now. Check the burner manual for additional information.

b) As standard, the Foco frame is assembled with small nuts and bolts. They protrude approximately 1 cm out from the frame. A small cutout in the framework/insulation board might be necessary for the Foco frame to fit. *Illustration 1*

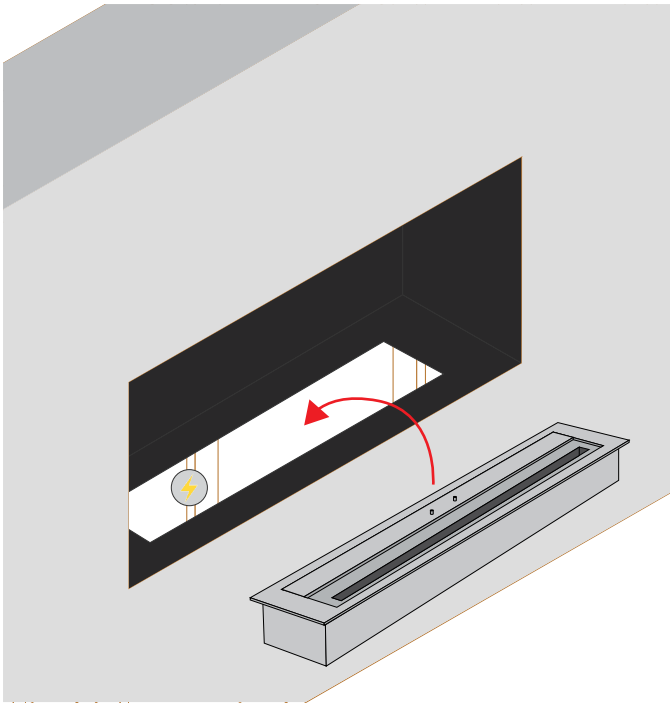
c) Slide the fireplace frame into the framing cavity.

**NOTE:** For the fireplace to sit flush with the finished wall, make the Foco frame protrude out of the wall, equivalent to the thickness of the wall finishing material. *Illustration 2*

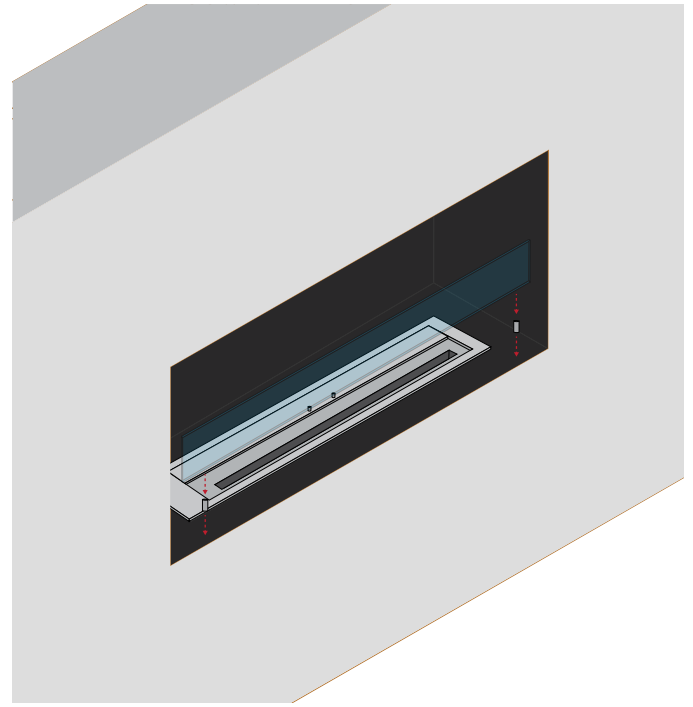
**The space inside the wall does not require any ventilation. Unless your burner is a Dimplex Cassette Opti-Myst water vapour fireplace.**



### 3.1.6 Burner installation and safety glass



a) Place the bioethanol burner into the Foco frame. If any mains connections are needed, connect them now.



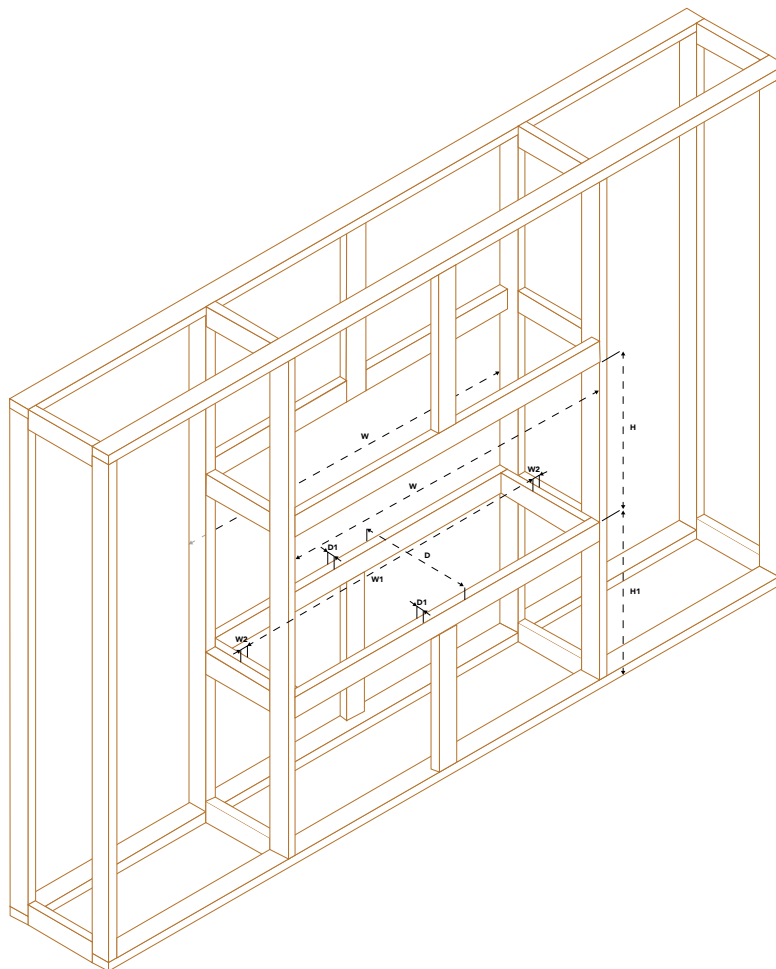
b) Place and fasten the included glass brackets with the included screws.

c) Place the safety glass into the brackets and tighten the fit, without adding unnecessary force.

## 3.2 Foco Two

### 3.2.1 Built framework

Construct the main wall framework in your preferred material. The finished framework should have an opening for the Foco frame as shown in Table B.



**NOTE:** Remember to make room for heat-resistant insulation around the fireplace frame. Therefore the thickness of the insulation boards should be added to all dimensions noted with x. Bord thickness is often either 12.5mm or 15mm but can vary depending on the product you choose to use.

**Table B - Framework opening size**

Foco model	W	W1 min	W2 max	D min <sup>2</sup>	D1 max	H	H1 min
	(mm)	(mm)	(mm)	(mm)	(mm)	(mm)	(mm)
Foco Two 600 Ultra Slim	600 + (2*x)	400	100	100	15	500 + (2*x)	100
Foco Two 800 Ultra Slim	800 + (2*x)	600	100	100	15	500 + (2*x)	100
Foco Two 1000 Ultra Slim	1000 + (2*x)	800	100	100	15	500 + (2*x)	100
Foco Two 600 Slim	600 + (2*x)	450	50	200	30	500 + (2*x)	80
Foco Two 1000 Slim	1000 + (2*x)	800	80	200	30	500 + (2*x)	80
Foco Two 1200 Slim	1200 + (2*x)	1000	80	200	30	500 + (2*x)	80
Foco Two 800 Medium	800 + (2*x)	600 <sup>1</sup>	80 <sup>1</sup>	300	80 <sup>1</sup>	500 + (2*x)	80 <sup>1</sup>
Foco Two 1100 Medium	1100 + (2*x)	1000 <sup>1</sup>	40 <sup>1</sup>	300	80 <sup>1</sup>	500 + (2*x)	80 <sup>1</sup>
Foco Two 800	800 + (2*x)	600 <sup>1</sup>	80 <sup>1</sup>	400	110 <sup>1</sup>	500 + (2*x)	80 <sup>1</sup>
Foco Two 1000	1000 + (2*x)	800 <sup>1</sup>	80 <sup>1</sup>	400	110 <sup>1</sup>	500 + (2*x)	80 <sup>1</sup>
Foco Two 1200	1200 + (2*x)	1000 <sup>1</sup>	80 <sup>1</sup>	400	110 <sup>1</sup>	500 + (2*x)	80 <sup>1</sup>
Foco Two 1400 Double	1400 + (2*x)	1300	40	400	110	500 + (2*x)	80 <sup>1</sup>

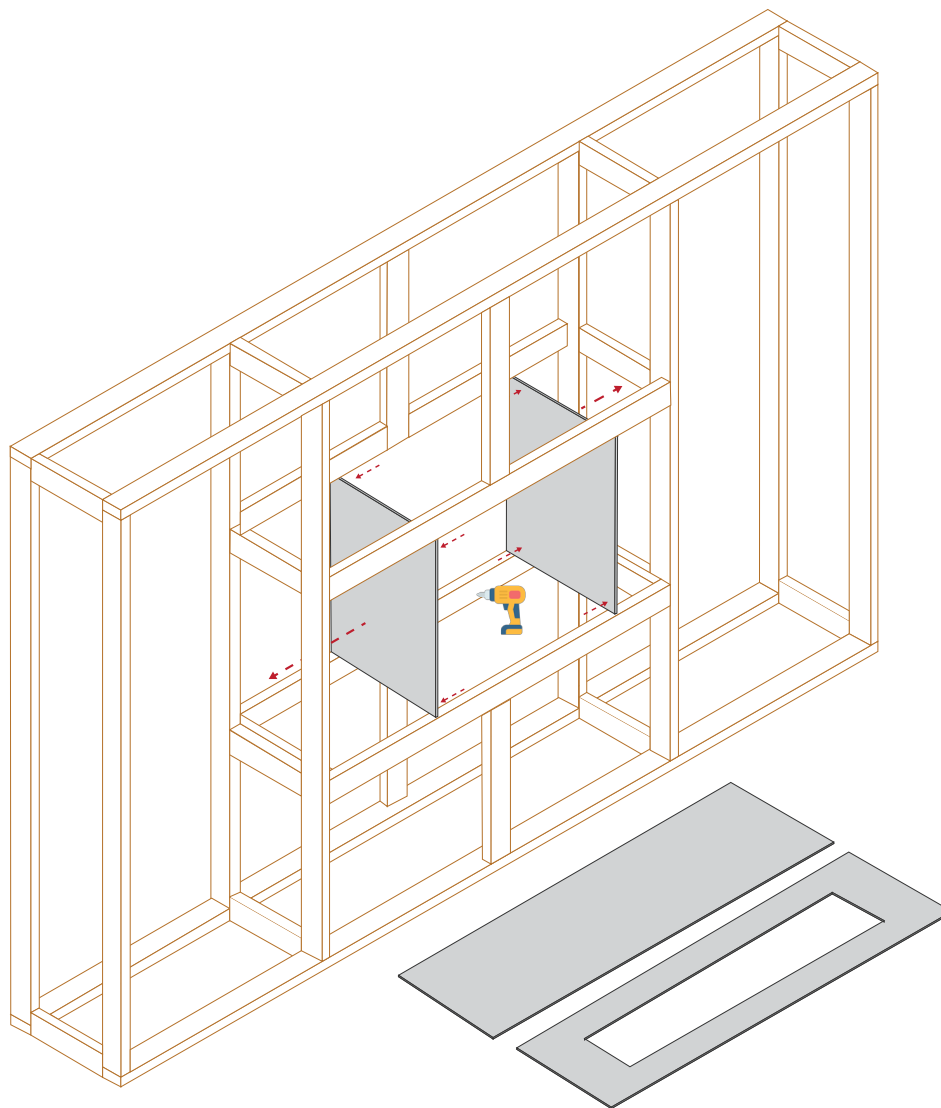
x = Insulation Board Thickness

Additional Table B information next page →

<sup>1</sup> Can vary depending on burner type. The dimensions shown are for a standard manual burner. Please check your specific required burner cutout size, if your fireplace is equipped with another burner.

<sup>2</sup> **IMPORTANT** - If you want the finished wall to go flush with the fireplace frame, you need to subtract the thickness of the wall finishing materials from the dimensions of the framework. This will make the Foco frame protrude from the framework equivalent to the thickness of the wall finishing material. **See 3.2.3 for more information.**

### 3.2.2 Insulation board

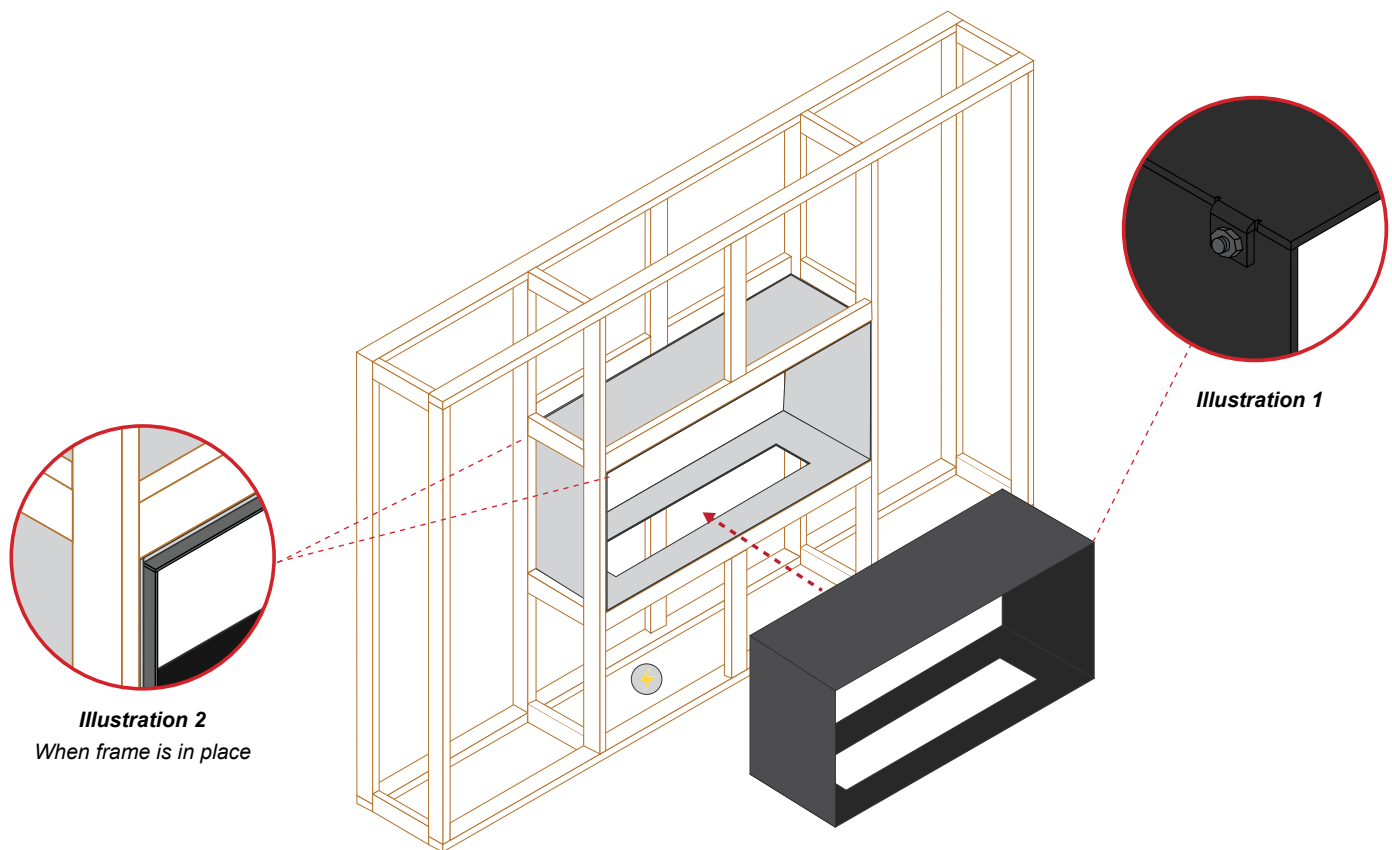


a) Cut your insulation boards into size, so that they will fit into your framework. Fasten them using a power drill and screws.

The insulation board is sold separately and can be purchased at your local hardware shop. See *2.2 Definition* for more information about insulation boards.

The idea of the insulation boards is to create a heat-resistant spacer between the wooden wall frame and the fireplace frame so that there is no direct contact. If the framework is made of a non-flammable material like e.g. steel the insulation boards are not needed.

### 3.2.3 Insert frame



**Illustration 1**

**Illustration 2**

When frame is in place

a) If your bioethanol burner requires electricity to be operated provide an electricity connection with easy access inside the framework. If your burner offers the opportunity to connect a Smart Home System any additional required cables should also be routed now. Check the burner manual for additional information.

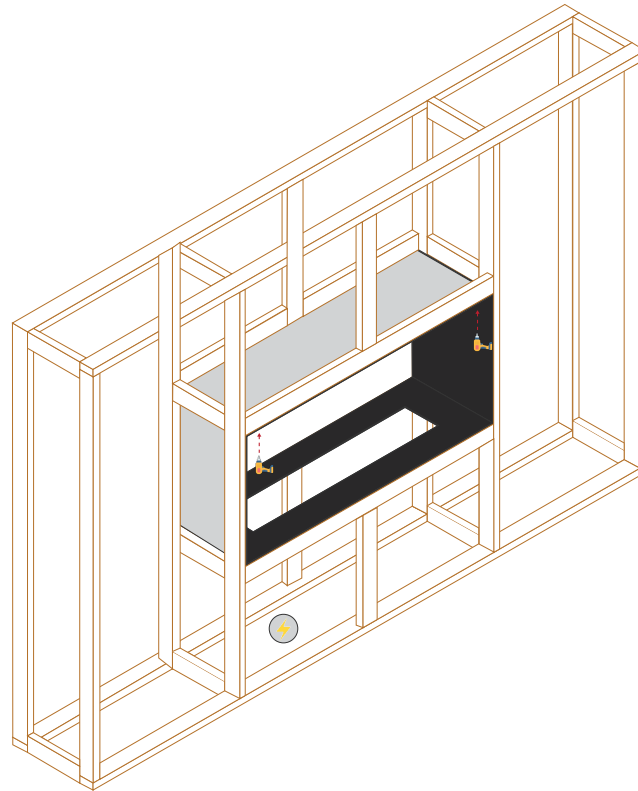
b) As standard, the Foco frame is assembled with small nuts and bolts. They protrude approximately 1 cm out from the frame. A small cutout in the framework/insulation board might be necessary for the Foco frame to fit. *Illustration 1*

c) Slide the fireplace frame into the framing cavity.

**NOTE:** For the fireplace to sit flush with the finished wall, make the Foco frame protrude out of the wall, equivalent to the thickness of the wall finishing material on both sides of the wall. *Illustration 2*

**The space inside the wall does not require any ventilation unless your burner is a Dimplex Cassette Opti-Myst water vapour fireplace.**

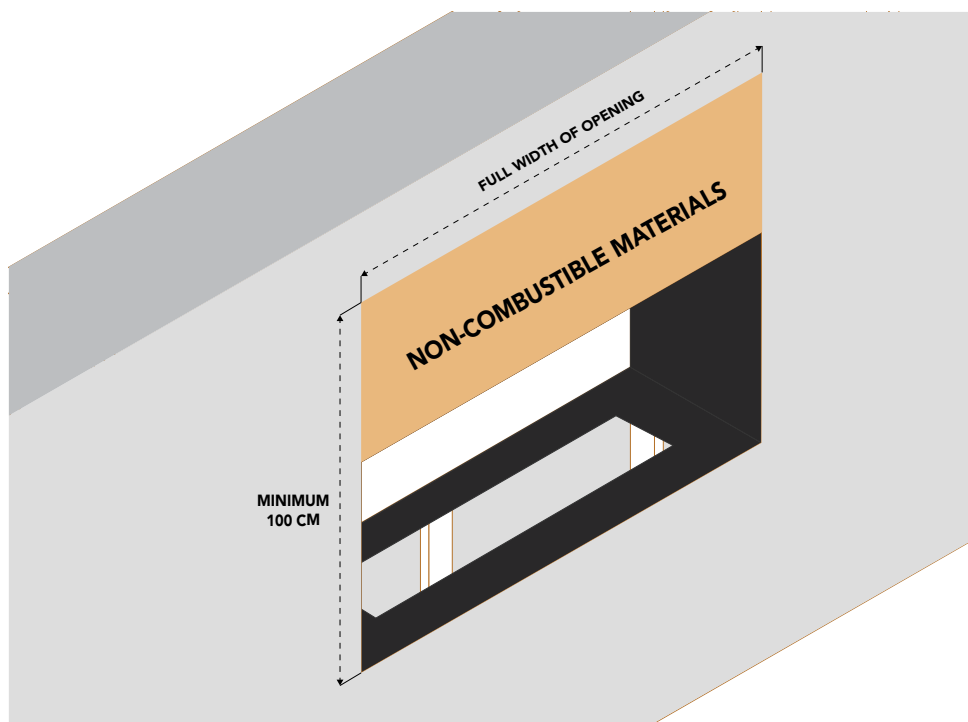
### 3.2.4 Fasten frame



a) Fasten the Foco frame to the framework through the holes in the top of the frame. Use a spirit level to make sure the frame is mounted at level.

b) The weight of the bottom plate is usually enough to keep it in place. But if you want to secure it further, you can fasten it to the framework through the holes for the glass brackets using small screws. See 3.2.6 for fastening of glass brackets.

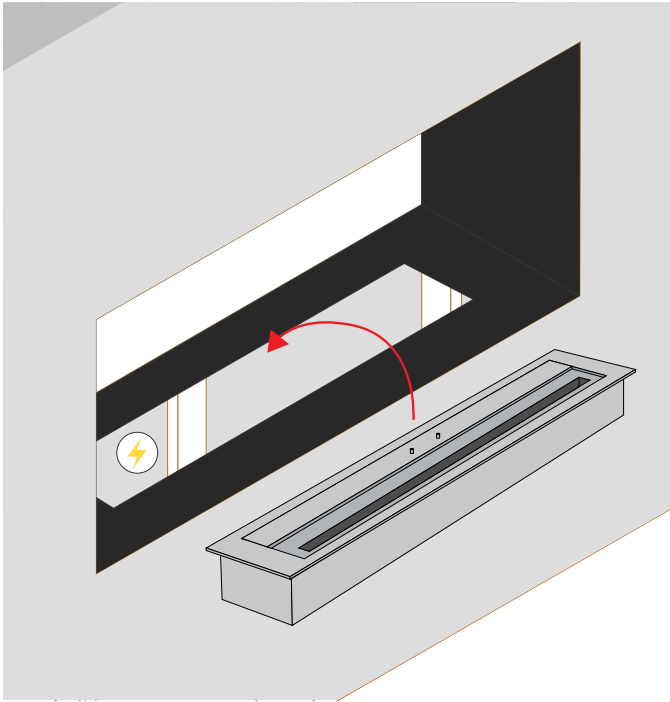
### 3.2.5 Complete wall construction



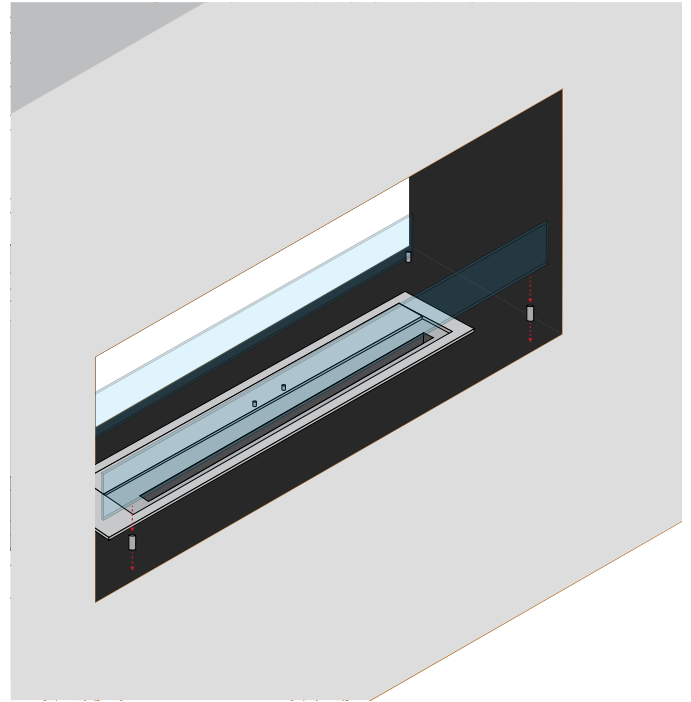
a) Complete the construction by finishing the wall panelling around the appliance with non-flammable materials on both sides of the wall.

Do not use flammable materials like wood panels without consulting the manufacturer or testing the flammability of the wooden panels.

### 3.2.6 Burner installation and safety glass



a) Place the bioethanol burner into the Foco frame. If any mains connections are needed, connect them now.



a) Place and fasten the included glass brackets with the included screws.

b) Place the glass into the brackets and tighten the fit, without adding unnecessary force.

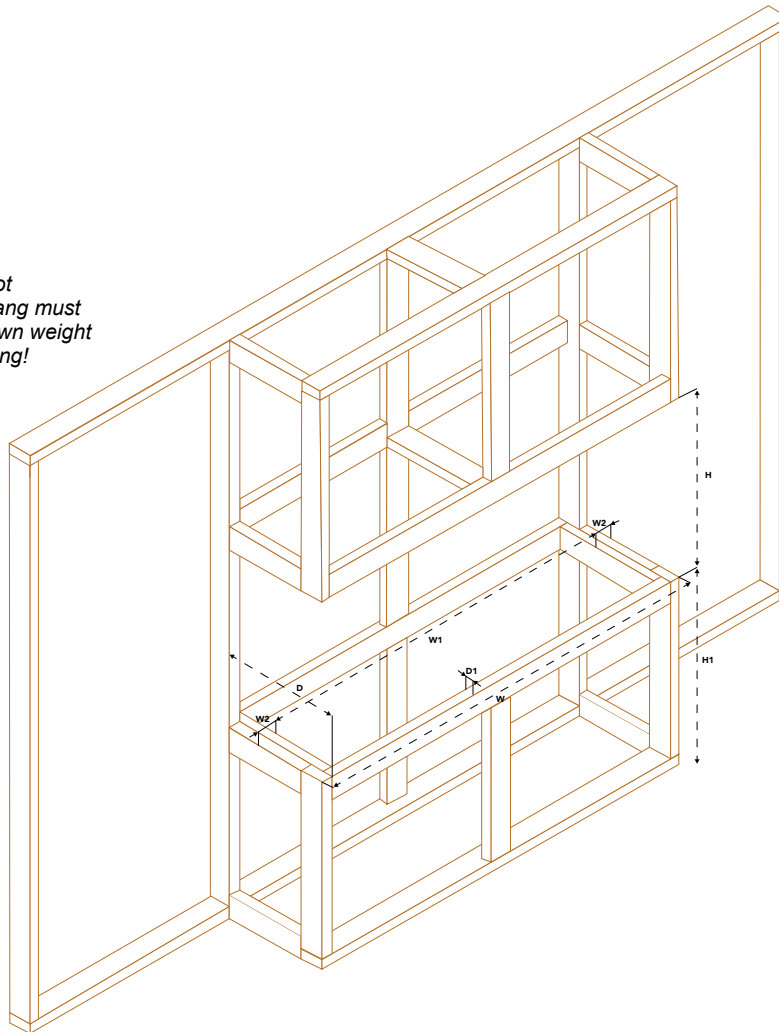


### 3.3 Foco Three

#### 3.3.1 Built framework

Construct the main wall framework in your preferred material with the opening size shown in Table A

**!** The Foco frame is not load-bearing. Overhang must be able to carry its own weight including wall panelling!



**NOTE:** Remember to make room for heat-resistant insulation around the fireplace frame. Therefore the thickness of the insulation boards should be added to all dimensions noted with x. Bord thickness is often either 12.5mm or 15mm but can vary depending on the product you choose to use.

**Table C - Framework opening size**

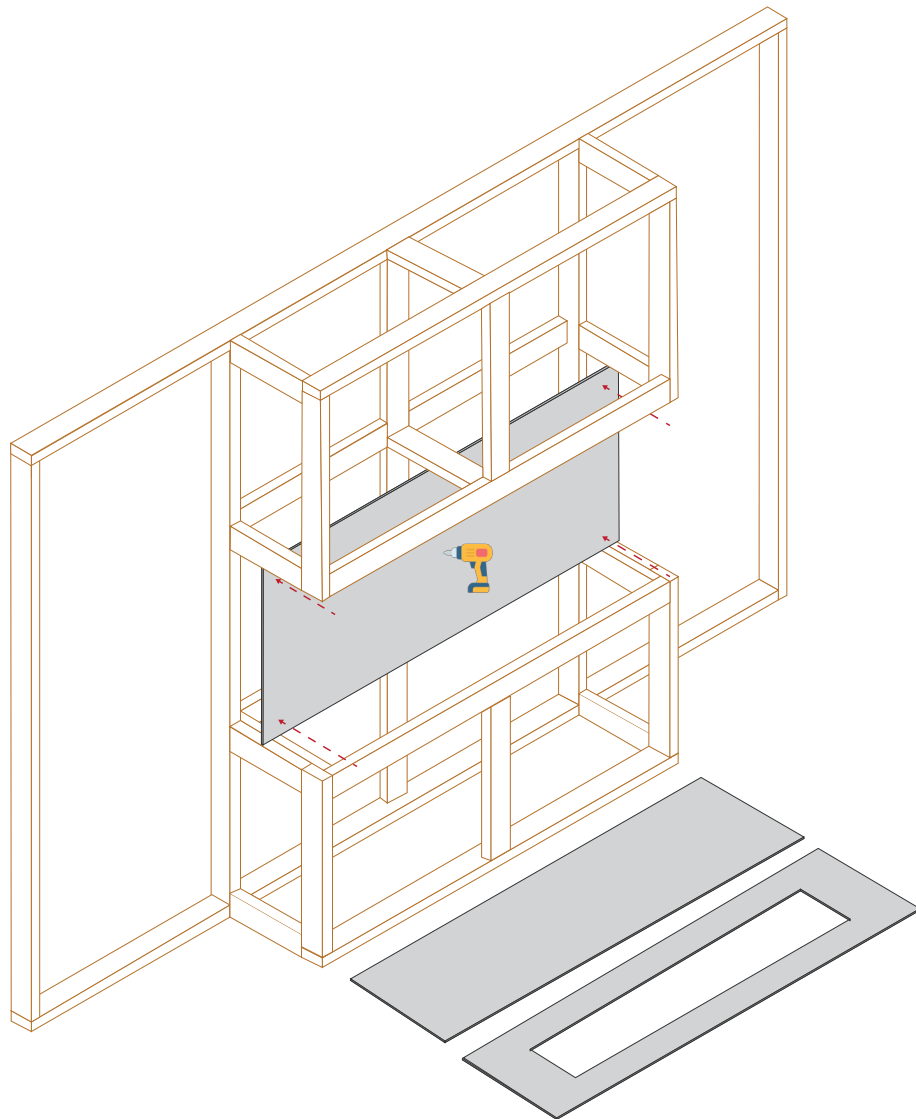
Foco model	W <sup>2</sup> (mm)	W1 min (mm)	W2 max (mm)	D min <sup>2</sup> (mm)	D1 max (mm)	H (mm)	H1 min (mm)
Foco Two 800	800	600 <sup>1</sup>	80 <sup>1</sup>	400 + x	110 <sup>1</sup>	500 + (2*x)	80 <sup>1</sup>
Foco Two 1000	1000	800 <sup>1</sup>	80 <sup>1</sup>	400 + x	110 <sup>1</sup>	500 + (2*x)	80 <sup>1</sup>
Foco Two 1200	1200	1000 <sup>1</sup>	80 <sup>1</sup>	400 + x	110 <sup>1</sup>	500 + (2*x)	80 <sup>1</sup>

x = Insulation Board Thickness

<sup>1</sup> Can vary depending on burner type. The dimensions shown are for a standard manual burner. Please check your specific required burner cutout size, if your fireplace is equipped with another burner.

<sup>2</sup> **IMPORTANT** - If you want the finished wall to go flush with the fireplace frame, you need to subtract the thickness of the wall finishing materials from the dimensions of the framework. This will make the Foco frame protrude from the framework equivalent to the thickness of the wall finishing material. **See 3.3.3 for more information.**

### 3.3.2 Insulation board

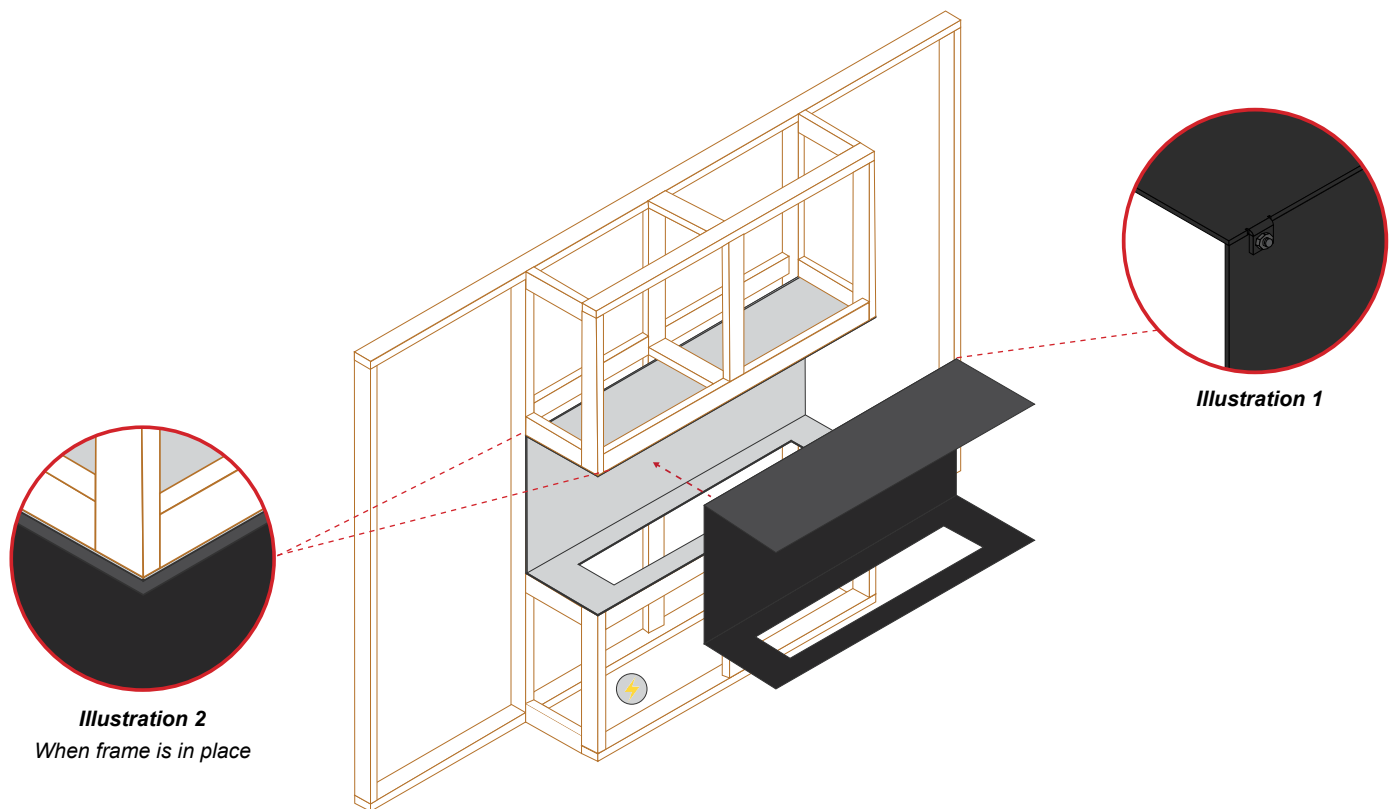


a) Cut your insulation boards into size, so that they will fit into your framework. Fasten them using a power drill and screws.

The insulation board is sold separately and can be purchased at your local hardware shop. See *2.2 Definition* for more information about insulation boards.

The idea of the insulation boards is to create a heat-resistant spacer between the wooden wall frame and the fireplace frame so that there is no direct contact. If the framework is made of a non-flammable material like e.g. steel the insulation boards are not needed.

### 3.3.3 Insert frame



a) If your bioethanol burner requires electricity to be operated provide an electricity connection with easy access inside the framework. If your burner offers the opportunity to connect a Smart Home System any additional required cables should also be routed now. Check the burner manual for additional information.

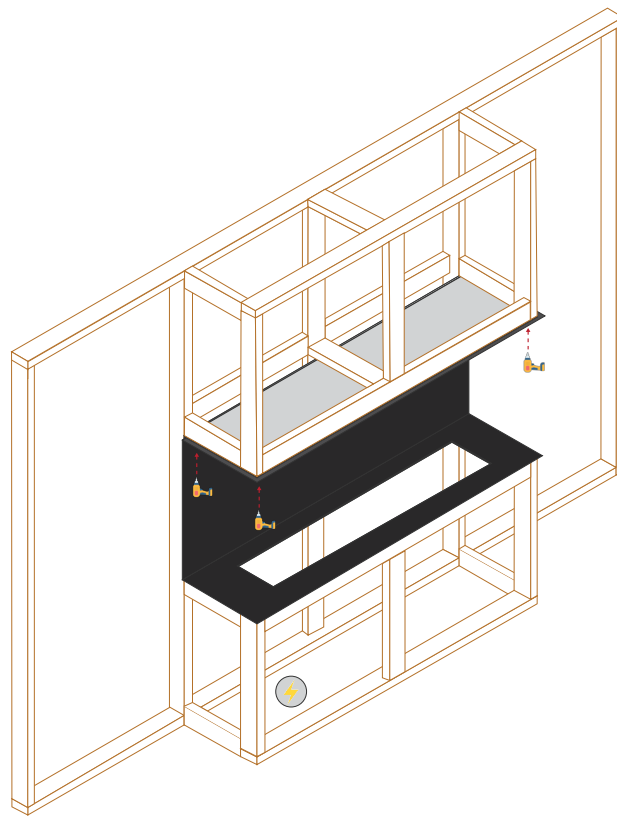
b) As standard, the Foco frame is assembled with small nuts and bolts. They protrude approximately 1 cm out from the frame. A small cutout in the framework/insulation board might be necessary for the Foco frame to fit *Illustration 1*

c) Slide the fireplace frame into the framing cavity.

**NOTE:** For the fireplace to sit flush with the finished wall, make the Foco frame protrude out of the wall, equivalent to the thickness of the wall finishing material. *Illustration 2*

**The space inside the wall does not require any ventilation unless your burner is a Dimplex Cassette Opti-Myst water vapour fireplace.**

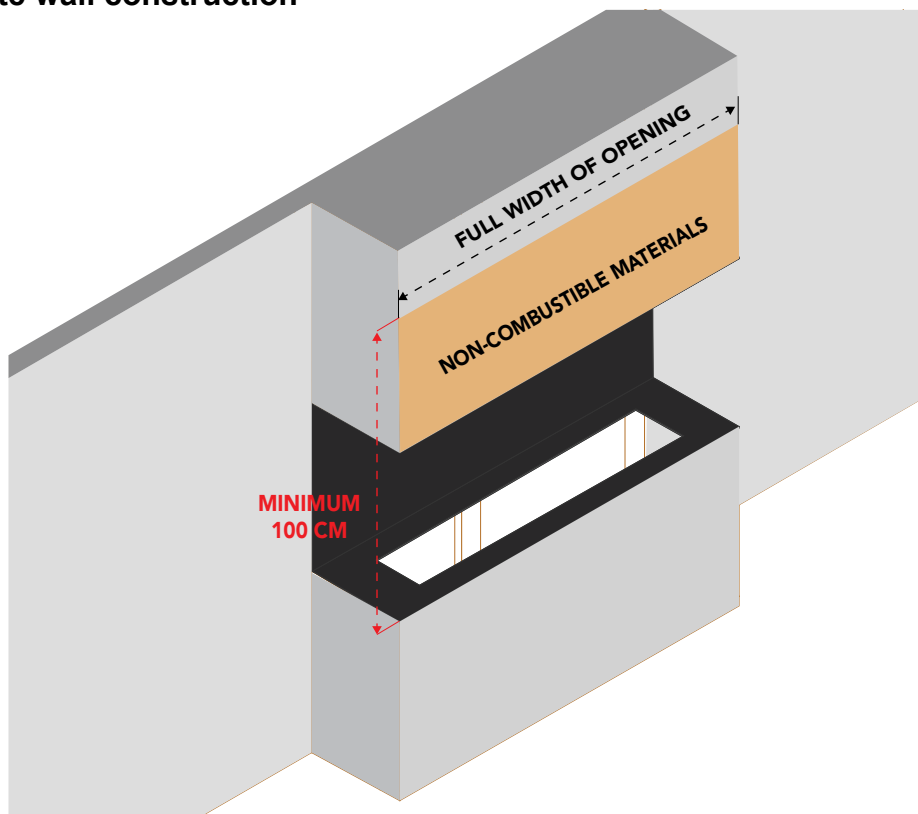
### 3.3.4 Fasten frame



a) Fasten the Foco frame to the framework through the screw holes in the top of the frame. Use a spirit level to make sure the frame is mounted at level.

b) The weight of the bottom plate is usually enough to keep it in place. But if you want to secure it further, you can fasten it to the framework through the holes for the glass brackets using small screws. See 3.3.6 for fastening of glass brackets.

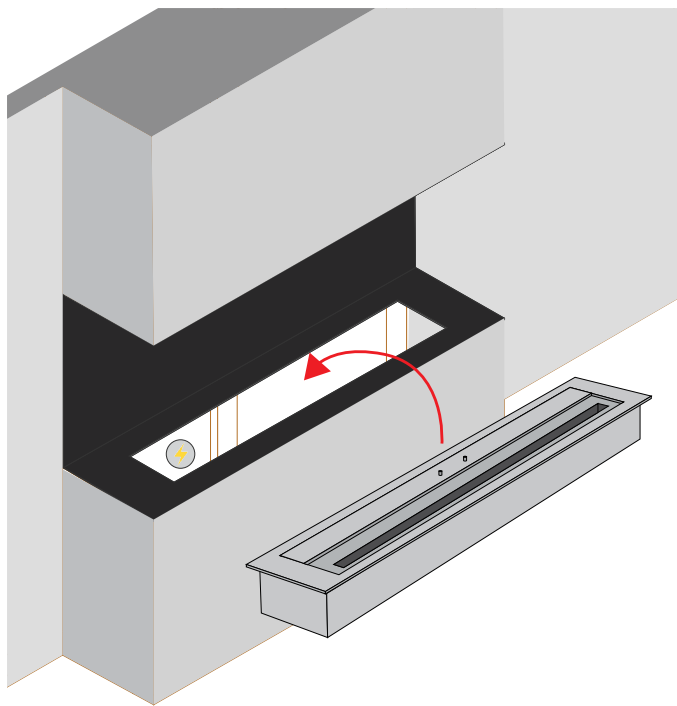
### 3.3.5 Complete wall construction



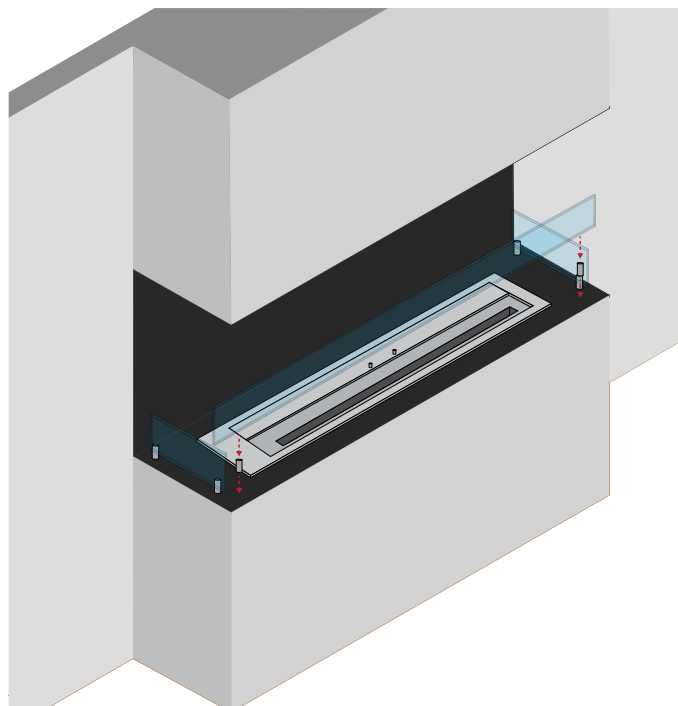
a) Complete the construction by finishing the wall panelling around the appliance with non-flammable materials on both sides of the wall.

Do not use flammable materials like wood panels without consulting the manufacturer or testing the flammability of the wooden panels.

### 3.3.6 Burner installation and safety glass



a) Place the bioethanol burner into the Foco frame. If any mains connections are needed, connect them now.



a) Place and fasten the included glass brackets with the included screws.

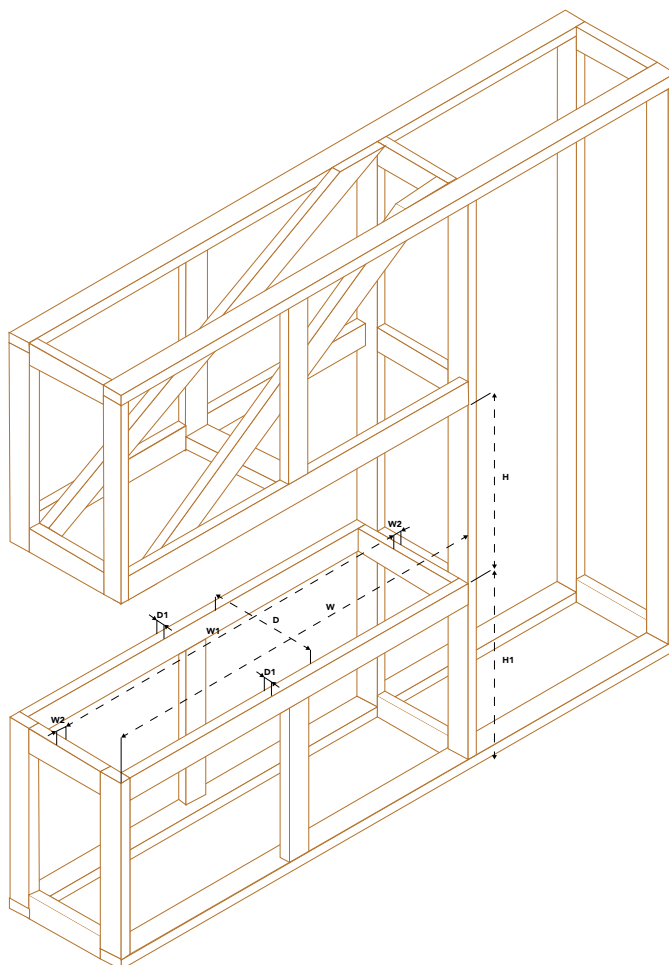
b) Place the glass into the brackets and tighten the fit, without adding unnecessary force.

## 3.4 Foco Room Divider

### 3.4.1 Built framework

Construct the main wall framework in your preferred material with the opening size shown in Table D.

**!** The Foco frame is not load-bearing. Overhang must be able to carry its own weight including wall panelling!



**NOTE:** Remember to make room for heat-resistant insulation around the fireplace frame. Therefore the thickness of the insulation boards should be added to all dimensions noted with x. Bord thickness is often either 12.5mm or 15mm but can vary depending on the product you choose to use.

**Table D - Framework opening size**

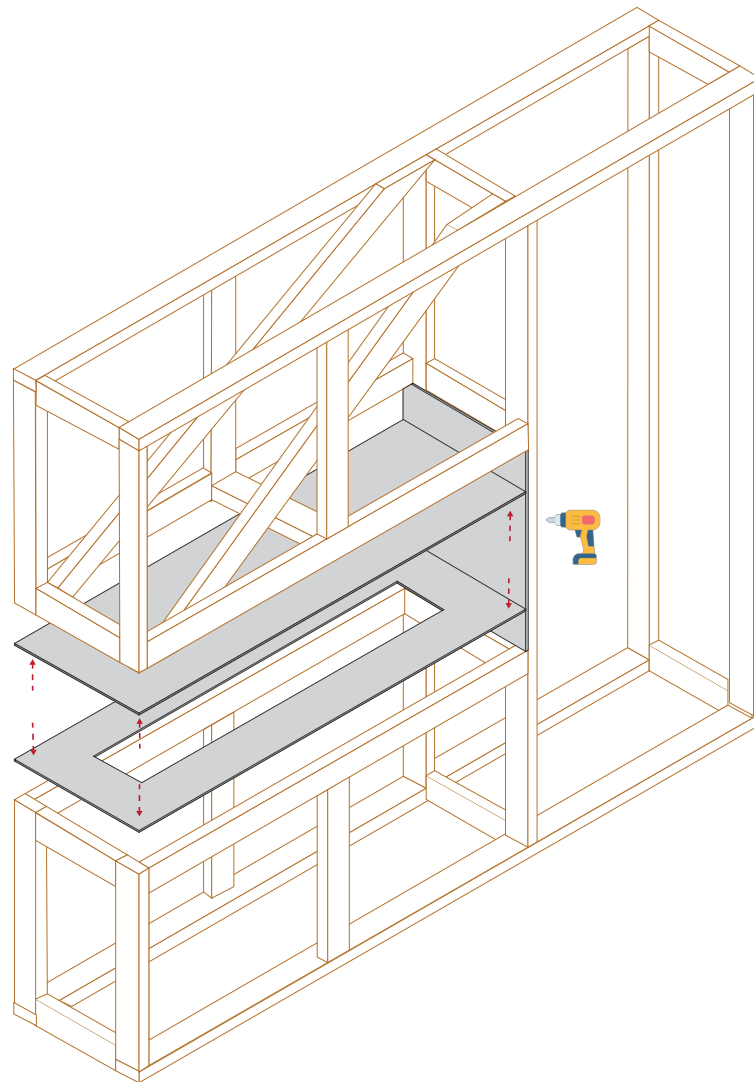
Foco model	W	W1 min	W2 max	D min <sup>2</sup>	D1 max	H	H1 min
	(mm)	(mm)	(mm)	(mm)	(mm)	(mm)	(mm)
Foco Two 800 Medium	800 + x	600 <sup>1</sup>	80 <sup>1</sup>	300	70 <sup>1</sup>	500 + (2*x)	80 <sup>1</sup>
Foco Two 1100 Medium	1100 + 1*x	1100 <sup>1</sup>	80 <sup>1</sup>	300	70 <sup>1</sup>	500 + (2*x)	80 <sup>1</sup>
Foco Two 800	800 + 1*x	600 <sup>1</sup>	80 <sup>1</sup>	400	110 <sup>1</sup>	500 + (2*x)	80 <sup>1</sup>
Foco Two 1000	1000 + 1*x	800 <sup>1</sup>	80 <sup>1</sup>	400	110 <sup>1</sup>	500 + (2*x)	80 <sup>1</sup>
Foco Two 1200	1200 + 1*x	1000 <sup>1</sup>	80 <sup>1</sup>	400	110 <sup>1</sup>	500 + (2*x)	80 <sup>1</sup>

x = Insulation Board Thickness

<sup>1</sup> Can vary depending on burner type. The dimensions shown are for a standard manual burner. Please check your specific required burner cutout size, if your fireplace is equipped with another burner.

<sup>2</sup> **IMPORTANT** - If you want the finished wall to go flush with the fireplace frame, you need to subtract the thickness of the wall finishing materials from the dimensions of the framework. This will make the Foco frame protrude from the framework equivalent to the thickness of the wall finishing material. **See 3.4.3 for more information.**

### 3.4.2 Insulation board

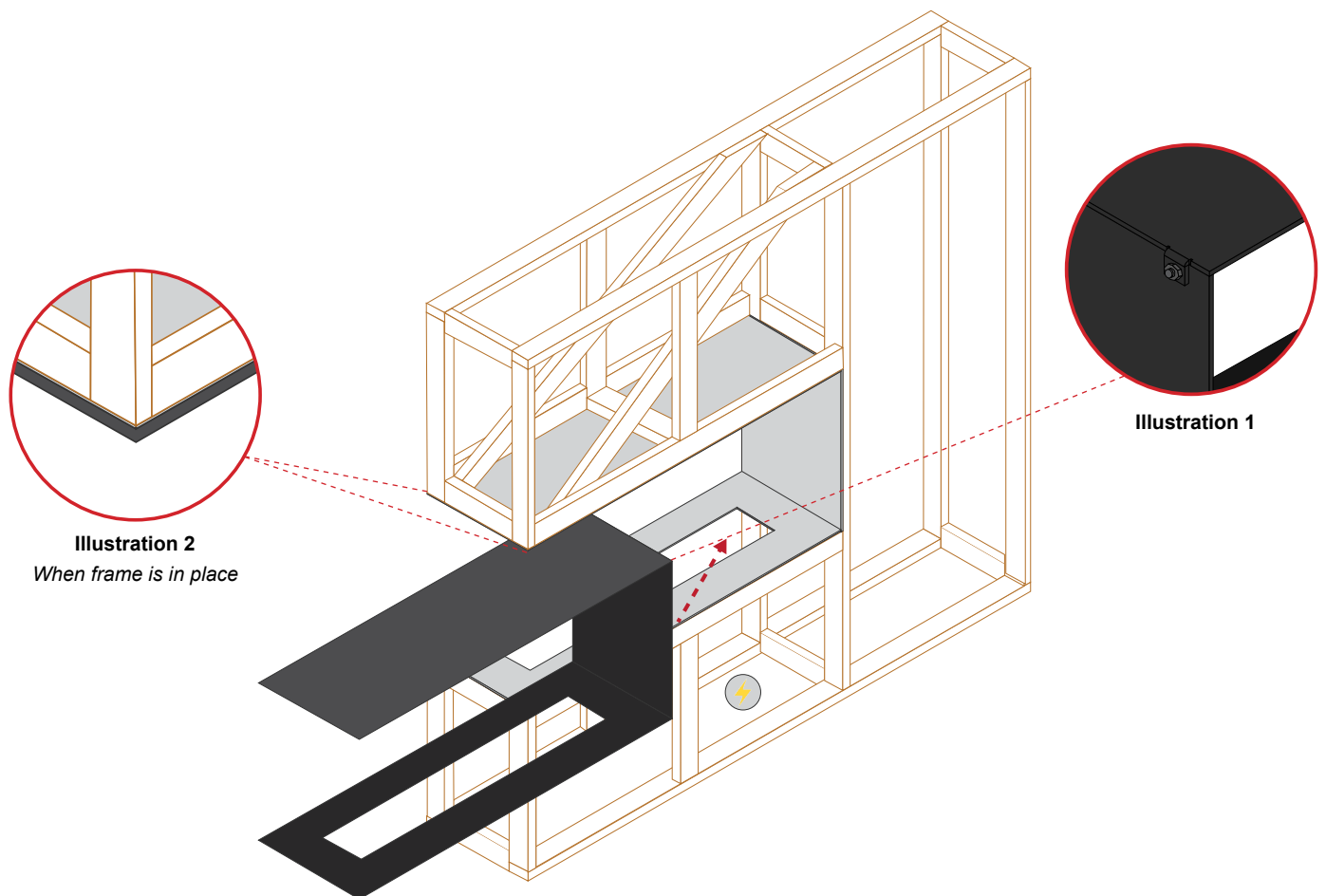


a) Cut your insulation boards into size, so that they will fit into your framework. Fasten them using a power drill and screws.

The insulation board is sold separately and can be purchased at your local hardware shop. See *2.2 Definition* for more information about insulation boards.

The idea of the insulation boards is to create a heat-resistant spacer between the wooden wall frame and the fireplace frame so that there is no direct contact. If the framework is made of a non-flammable material like e.g. steel the insulation boards are not needed.

### 3.4.3 Insert frame



a) If your bioethanol burner requires electricity to be operated provide an electricity connection with easy access inside the framework. If your burner offers the opportunity to connect a Smart Home System any additional required cables should also be routed now. Check the burner manual for additional information.

b) As standard, the Foco frame is assembled with small nuts and bolts. They protrude approximately 1 cm out from the frame. A small cutout in the framework/insulation board might be necessary for the Foco frame to fit. *Illustration 1*

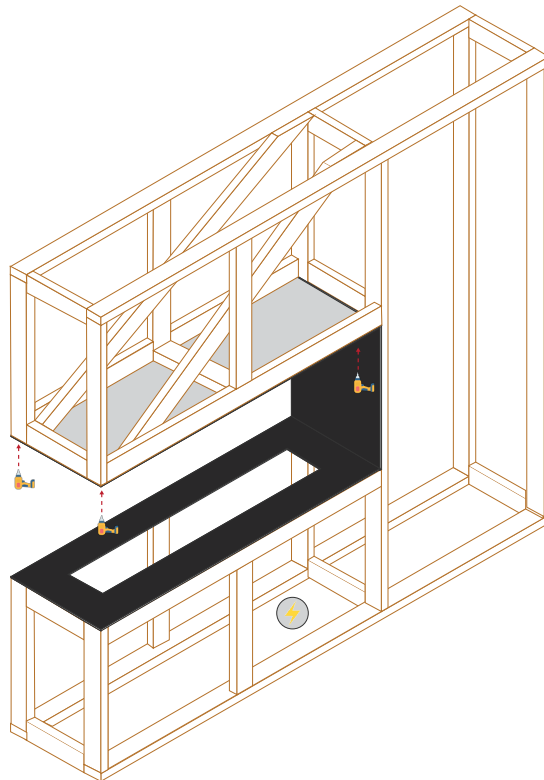
c) Slide the fireplace frame into the framing cavity.

**NOTE:** For the fireplace to sit flush with the finished wall, make the Foco frame protrude out of the wall, equivalent to the thickness of the wall finishing material on both sides of the wall. *Illustration 2*

**The space inside the wall does not require any ventilation unless your burner is a Dimplex Cassette Opti-Myst water vapour fireplace.**



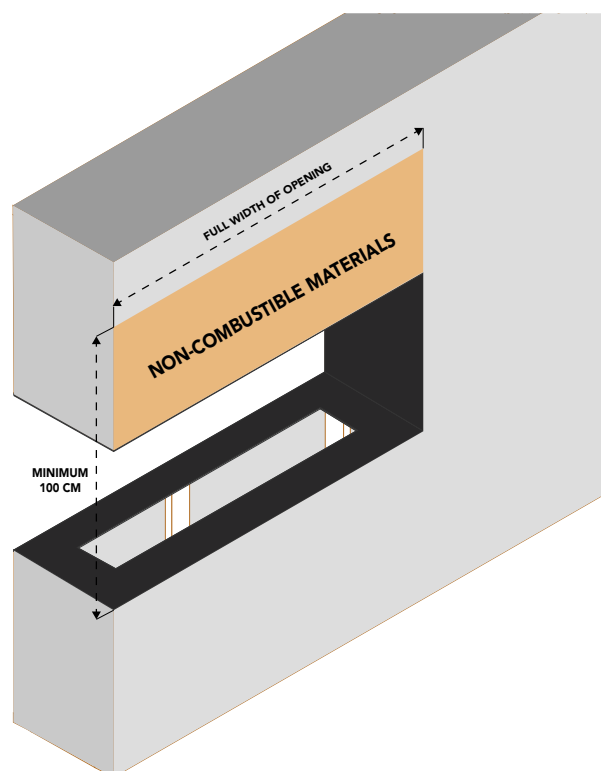
### 3.4.4 Fasten frame



a) Fasten the Foco frame to the framework through the screw holes in the top of the frame. Use a spirit level to make sure the frame is mounted at level.

b) The weight of the bottom plate is usually enough to keep it in place. But if you want to secure it further, you can fasten it to the framework through the holes for the glass brackets using small screws. See 3.3.6 for fastening of glass brackets.

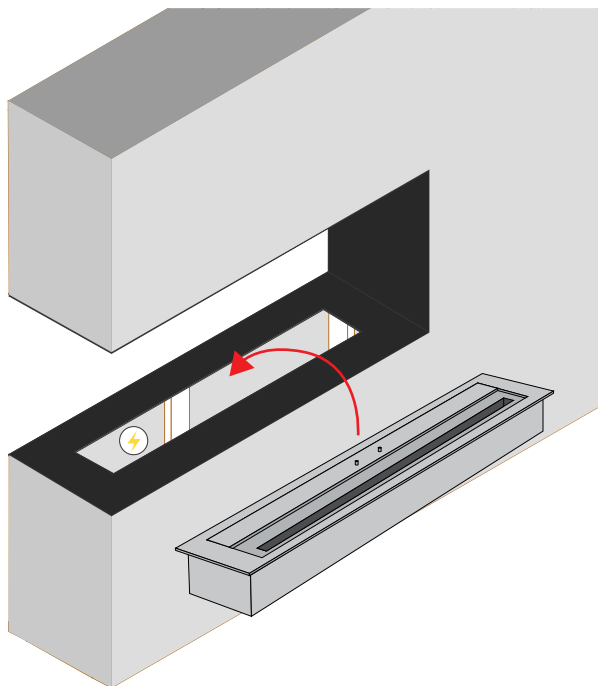
### 3.4.5 Complete wall construction



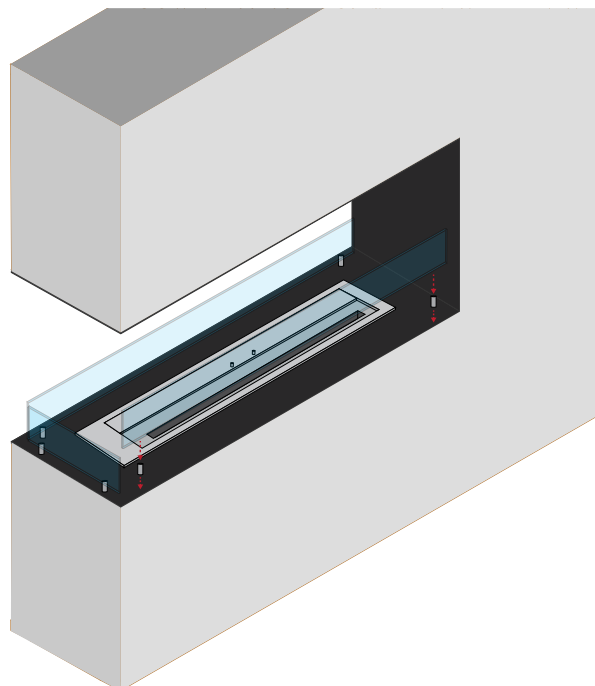
a) Complete the construction by finishing the wall panelling around the appliance with non-flammable materials on both sides of the wall.

Do not use flammable materials like wood panels without consulting the manufacturer or testing the flammability of the wooden panels.

### 3.4.6 Burner installation and safety glass



a) Place the bioethanol burner into the Foco frame. If any mains connections are needed, connect them now.



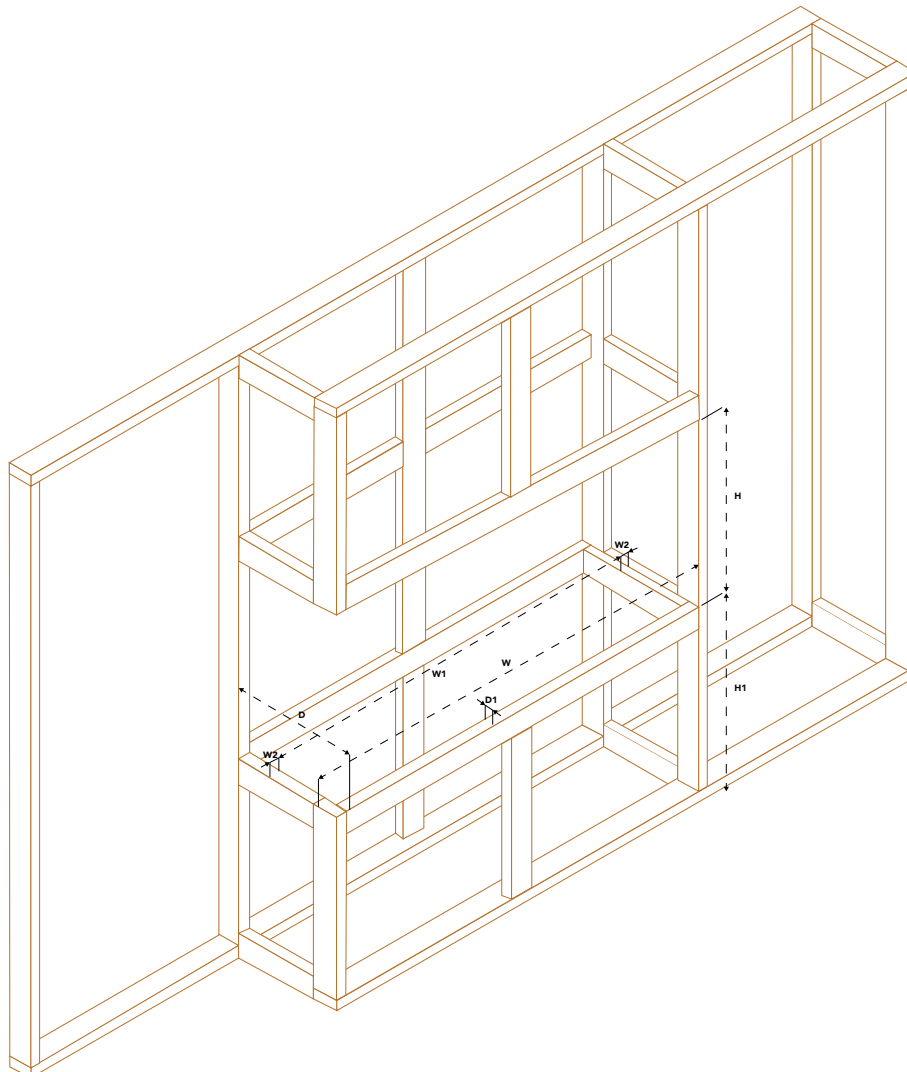
a) Place and fasten the included glass brackets with the included screws.

b) Place the glass into the brackets and tighten the fit, without adding unnecessary force.

## 3.5 Foco Corner

### 3.5.1 Built framework

Construct the main wall framework in your preferred material with the opening size shown in Table E.



**NOTE:** Remember to make room for heat-resistant insulation around the fireplace frame. Therefore the thickness of the insulation boards should be added to all dimensions noted with x. Bord thickness is often either 12.5mm or 15mm but can vary depending on the product you choose to use.

**Table E - Framework opening size**

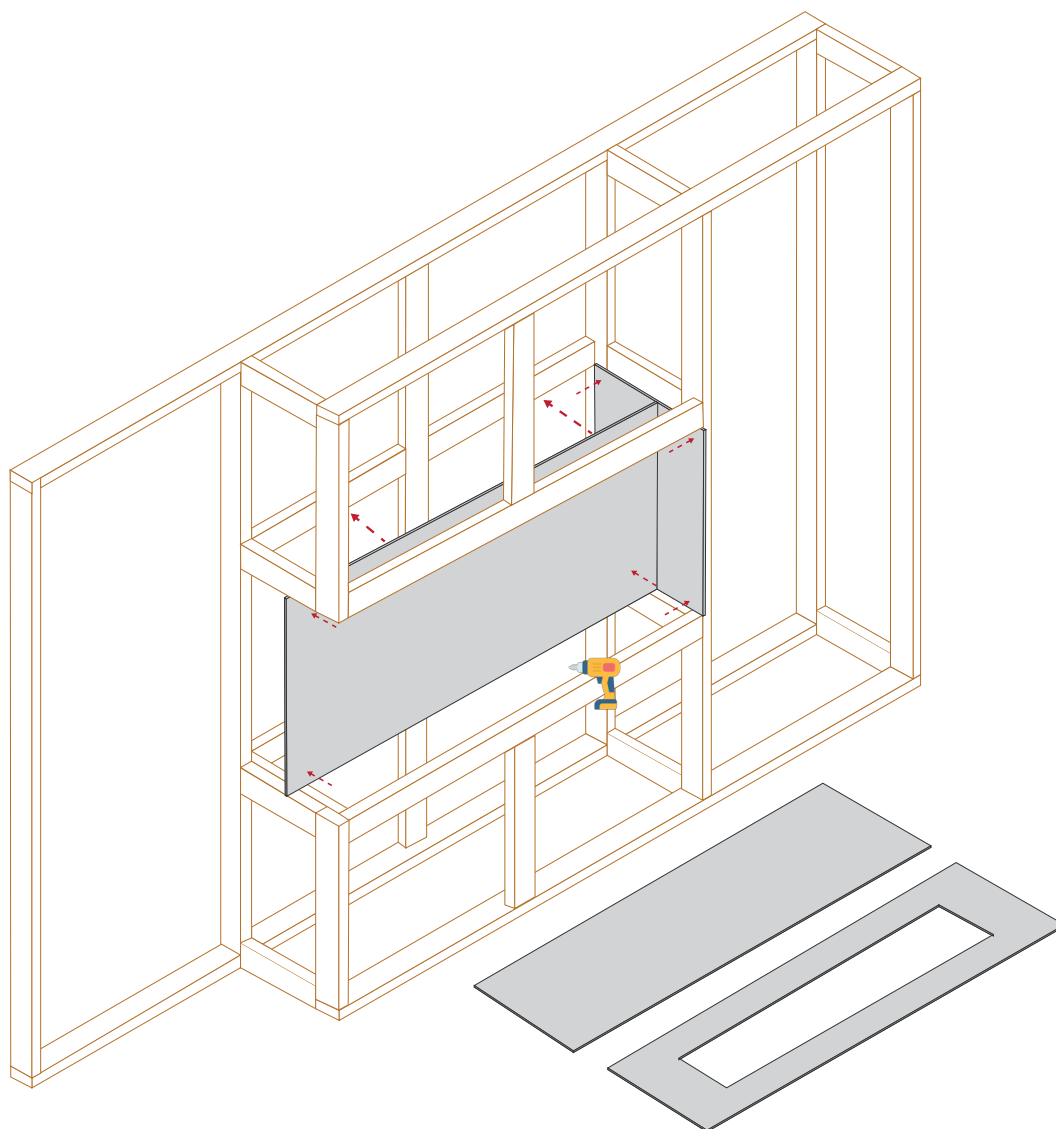
Foco model	W <sup>2</sup>	W1 min	W2 max	D min <sup>2</sup>	D1 max	H	H1 min
	(mm)	(mm)	(mm)	(mm)	(mm)	(mm)	(mm)
Foco Corner 800	800 + x	600 <sup>1</sup>	80 <sup>1</sup>	400 + x	110 <sup>1</sup>	500 + (2*x)	80
Foco Corner 1000	1000 + x	800 <sup>1</sup>	80 <sup>1</sup>	400 + x	110 <sup>1</sup>	500 + (2*x)	80
Foco Corner 1200	1200 + x	1000 <sup>1</sup>	80 <sup>1</sup>	400 + x	110 <sup>1</sup>	500 + (2*x)	80

x = Insulation Board Thickness

<sup>1</sup> Can vary depending on burner type. The dimensions shown are for a standard manual burner. Please check your specific required burner cutout size, if your fireplace is equipped with another burner.

<sup>2</sup> **IMPORTANT** - If you want the finished wall to go flush with the fireplace frame, you need to subtract the thickness of the wall finishing materials from the dimensions of the framework. This will make the Foco frame protrude from the framework equivalent to the thickness of the wall finishing material. **See 3.5.3 for more information.**

### 3.5.2 Insulation board

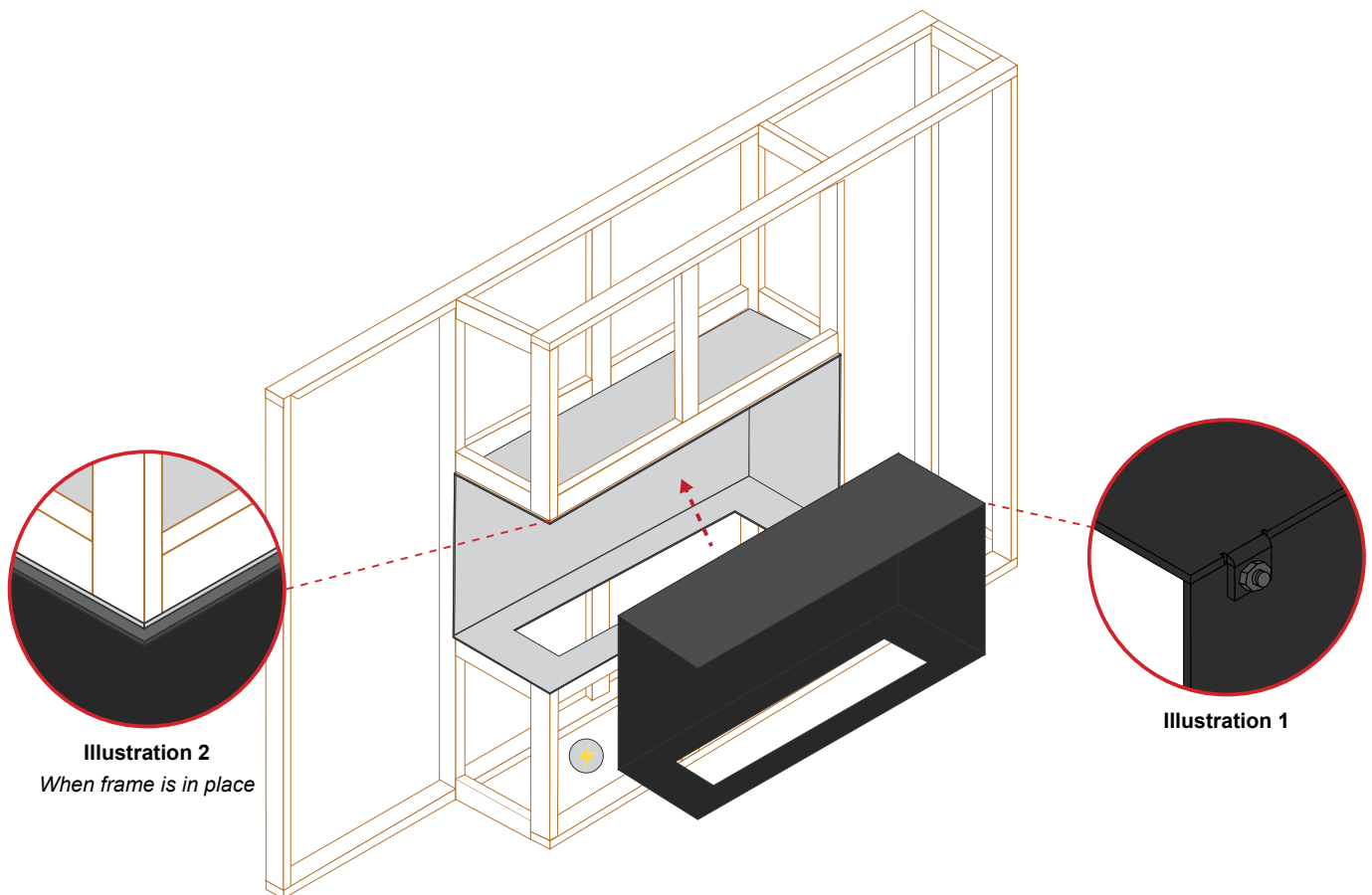


a) Cut your insulation boards into size, so that they will fit into your framework. Fasten them using a power drill and screws.

The insulation board is sold separately and can be purchased at your local hardware shop. See 2.2 Definition for more information about insulation boards.

The idea of the insulation boards is to create a heat-resistant spacer between the wooden wall frame and the fireplace frame so that there is no direct contact. If the framework is made of a non-flammable material like e.g. steel the insulation boards are not needed.

### 3.5.3 Insert frame



a) If your bioethanol burner requires electricity to be operated provide an electricity connection with easy access inside the framework. If your burner offers the opportunity to connect a Smart Home System any additional required cables should also be routed now. Check the burner manual for additional information.

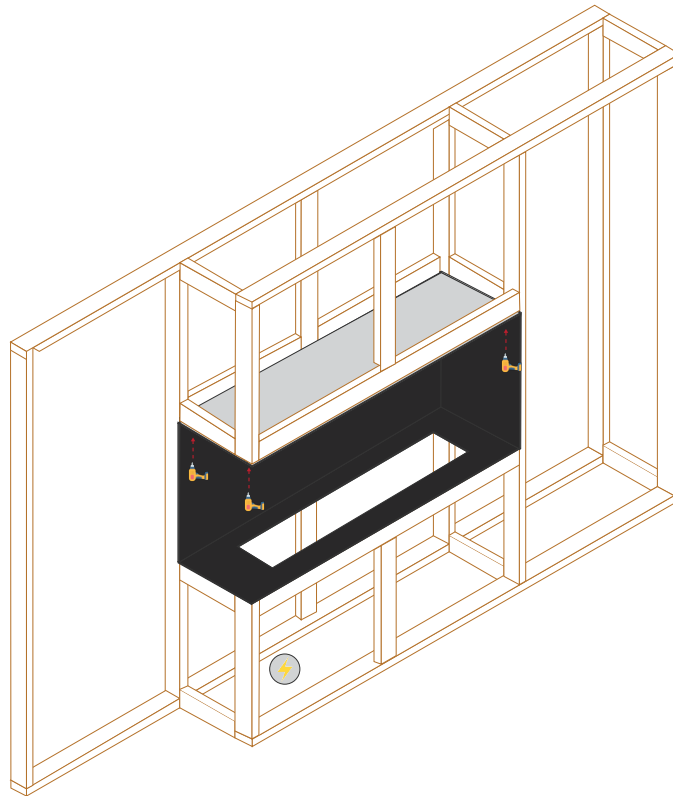
b) As standard, the Foco frame is assembled with small nuts and bolts. They protrude approximately 1 cm out from the frame. A small cutout in the framework/insulation board might be necessary for the Foco frame to fit. *Illustration 1*

c) Slide the fireplace frame into the framing cavity.

**NOTE:** For the fireplace to sit flush with the finished wall, make the Foco frame protrude out of the wall, equivalent to the thickness of the wall finishing material. *Illustration 2*

**The space inside the wall does not require any ventilation. Unless your burner is a Dimplex Cassette Opti-Myst water vapour fireplace.**

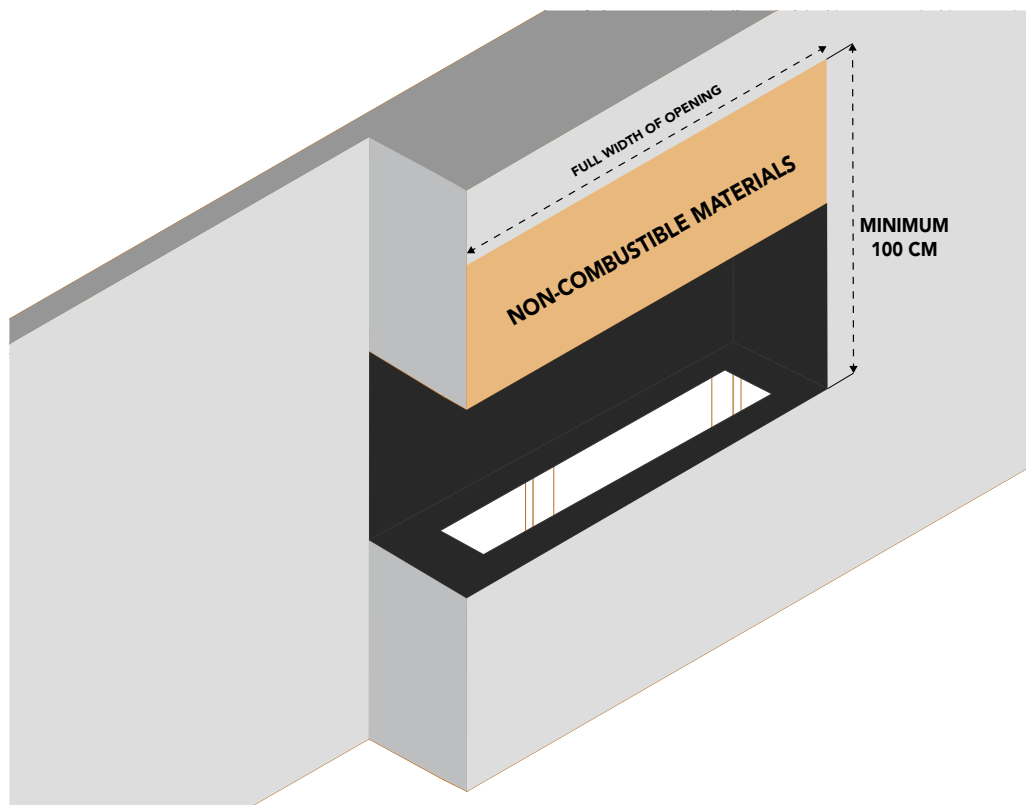
### 3.5.3 Fasten frame



a) Fasten the Foco frame to the framework through the screw holes in the top of the frame. Use a spirit level to make sure the frame is mounted at level.

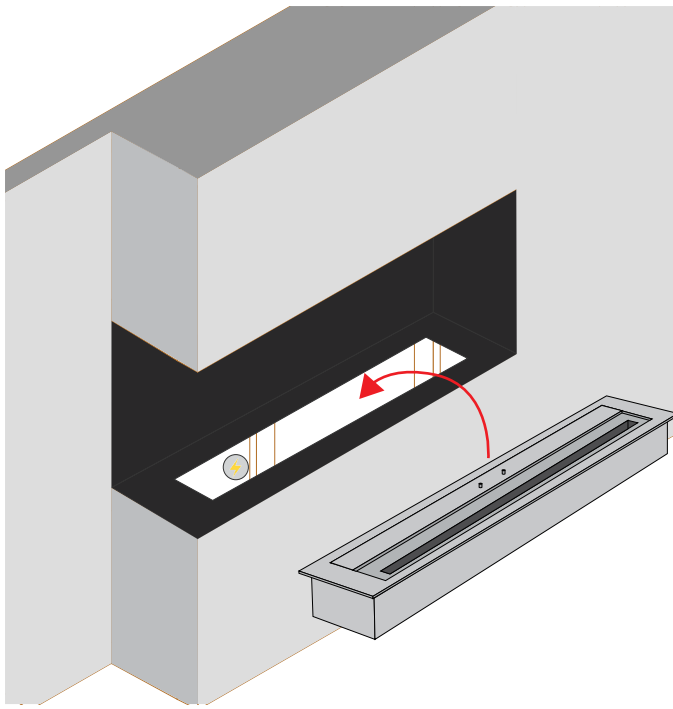
b) The weight of the bottom plate is usually enough to keep it in place. But if you want to secure it further, you can fasten it to the framework through the holes for the glass brackets using small screws. See 3.3.6 for fastening of glass brackets.

### 3.5.4 Complete wall construction

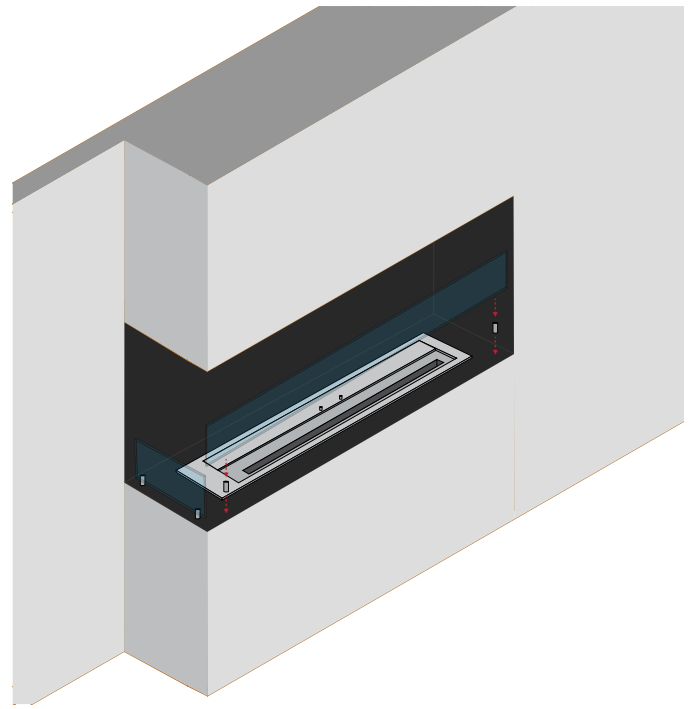


a) Complete the construction by finishing the wall panelling around the appliance with non-flammable materials. Do not use flammable materials like wood panels without consulting the manufacturer or testing the flammability of the wooden panels.

### 3.5.5 Burner installation and safety glass



a) Place the bioethanol burner into the Foco frame. If any mains connections are needed, connect them now.



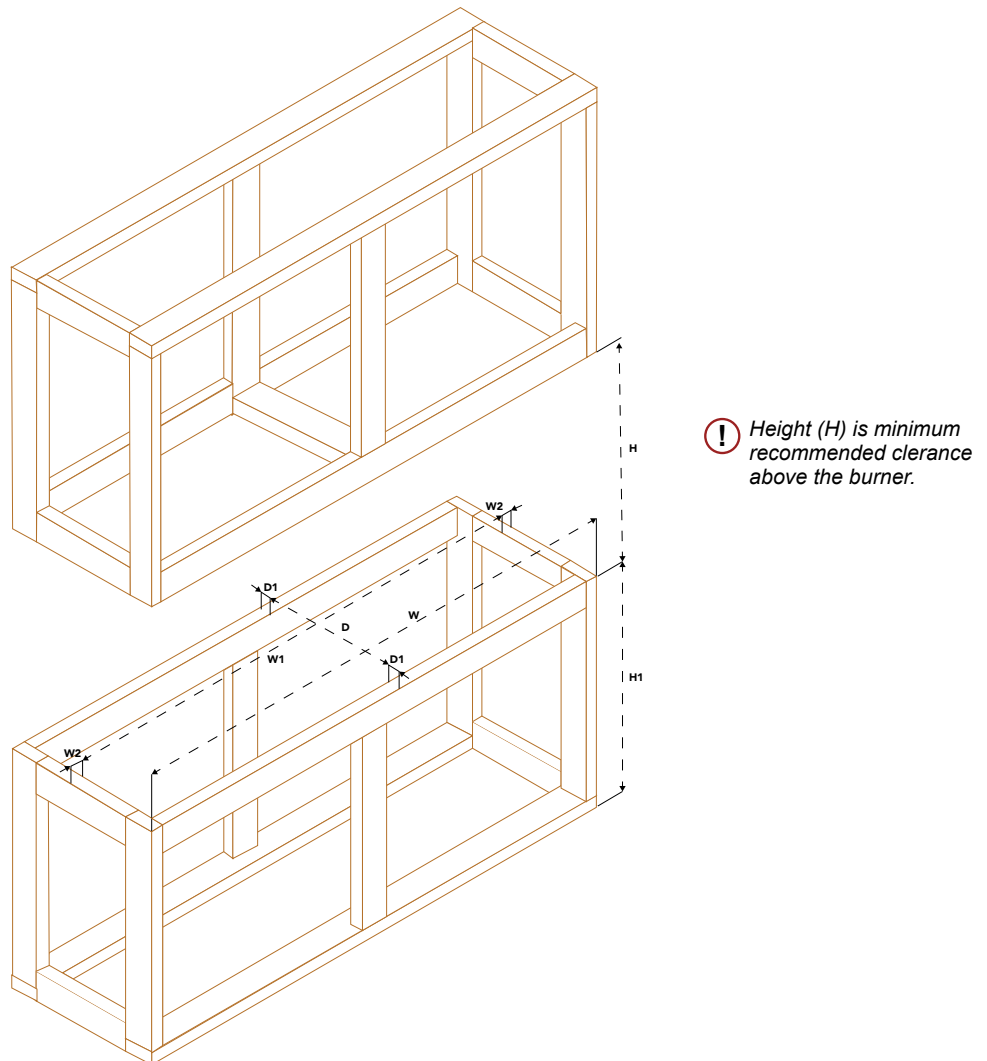
a) Place and fasten the included glass brackets with the included screws.

b) Place the glass into the brackets and tighten the fit, without adding unnecessary force.

## 3.6 Foco Four

### 3.6.1 Built framework

Construct the main wall framework in your preferred material with the opening size shown in Table F



**NOTE:** Remember to make room for heat-resistant insulation around the fireplace frame. Therefore the thickness of the insulation boards should be added to all dimensions noted with x. Bord thickness is often either 12.5mm or 15mm but can vary depending on the product you choose to use.

**Table F - Framework opening size**

Foco model	W <sup>2</sup>	W1 min	W2 max	W3 max	D min <sup>2</sup>	D1 max	H	H1 min
	(mm)	(mm)	(mm)	(mm)	(mm)	(mm)	(mm)	(mm)
Foco Corner 800	800	600 <sup>1</sup>	80 <sup>1</sup>	80	400	110 <sup>1</sup>	400 + (2*x)	80
Foco Corner 1000	1000	800 <sup>1</sup>	80 <sup>1</sup>	80	400	110 <sup>1</sup>	400 + (2*x)	80
Foco Corner 1200	1200	1000 <sup>1</sup>	80 <sup>1</sup>	80	400	110 <sup>1</sup>	400 + (2*x)	80

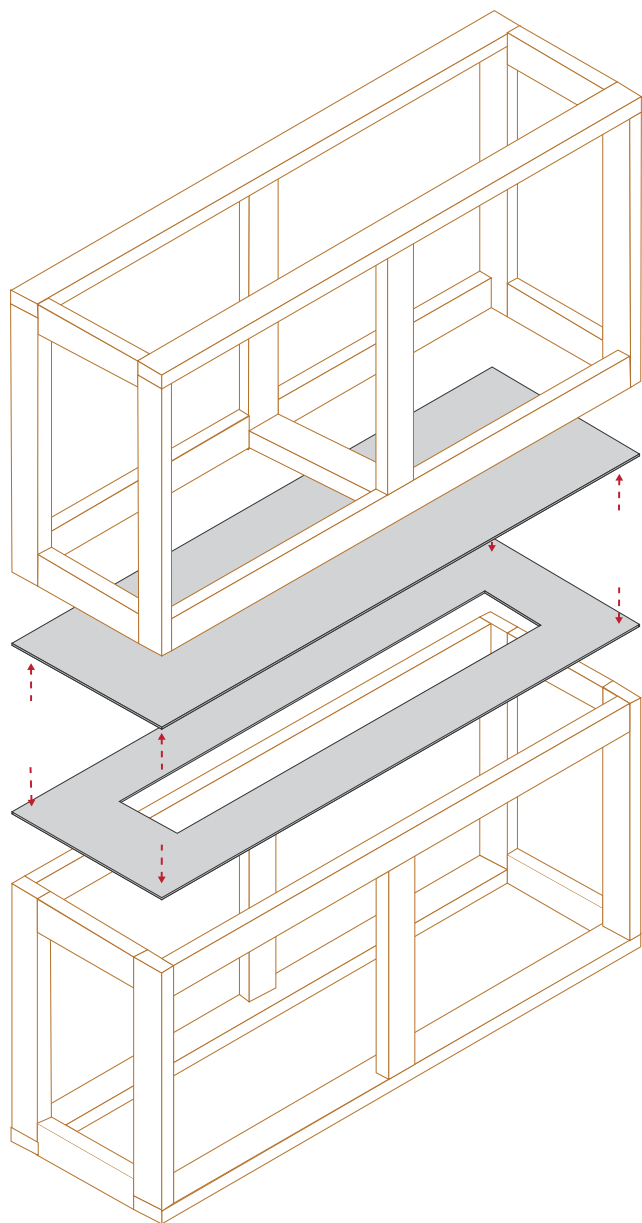
x = Insulation Board Thickness

<sup>1</sup> Can vary depending on burner type. The dimensions shown are for a standard manual burner. Please check your specific required burner cutout size, if your fireplace is equipped with another burner.

<sup>2</sup> **IMPORTANT** - If you want the finished wall to go flush with the fireplace frame, you need to subtract the thickness of the wall finishing materials from the dimensions of the framework. This will make the Foco frame protrude from the framework equivalent to the thickness of the wall finishing materia. **See 3.6.3 for more information.**



### 3.6.2 Insulation board

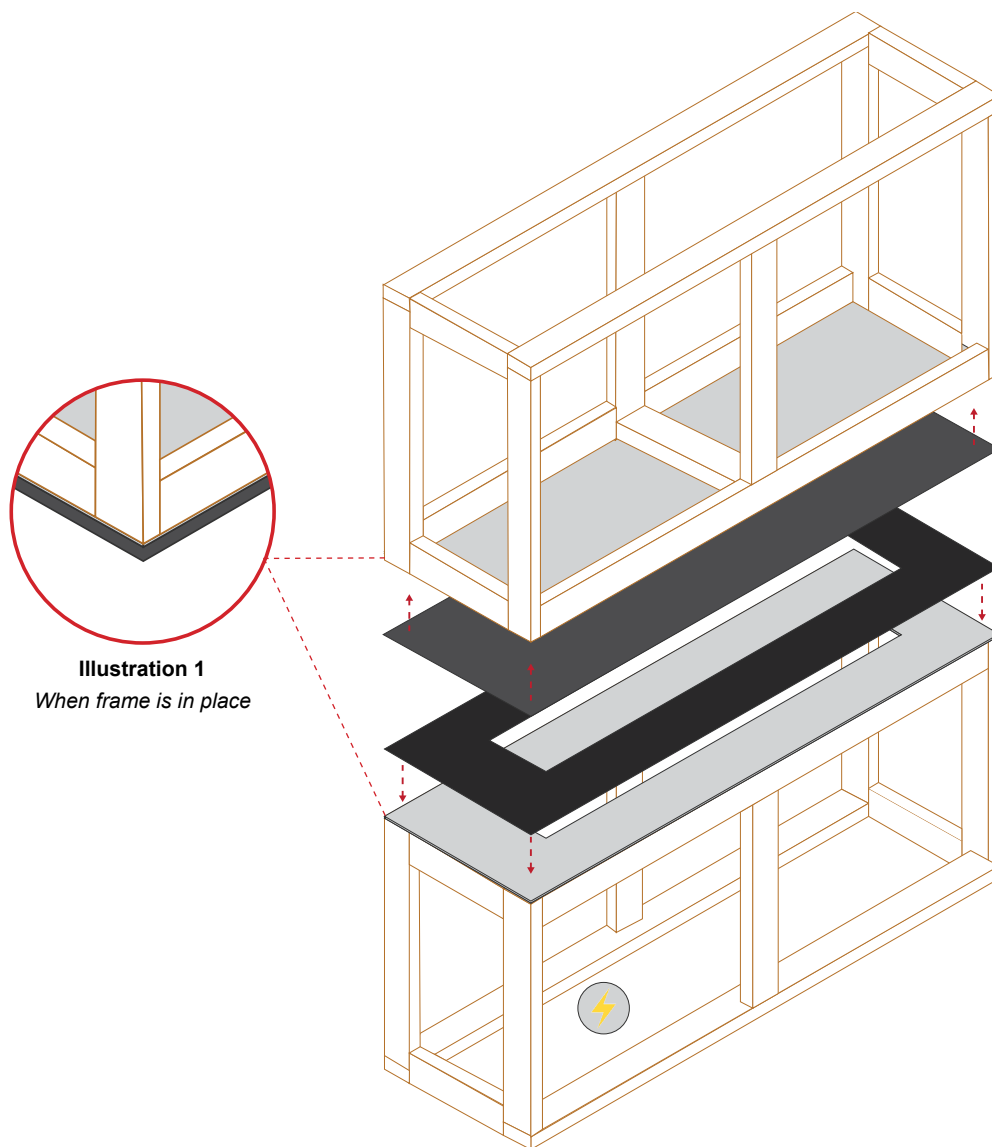


a) Cut your insulation boards into size, so that they will fit your framework. Fasten them using a power drill and screws.

The insulation board is sold separately and can be purchased at your local hardware shop. See [2.2 Definition](#) for more information about insulation boards.

The idea of the insulation boards is to create a heat-resistant spacer between the wooden wall frame and the fireplace frame so that there is no direct contact. If the framework is made of a non-flammable material like e.g. steel the insulation boards are not needed.

### 3.6.3 Insert frame



**Illustration 1**

*When frame is in place*

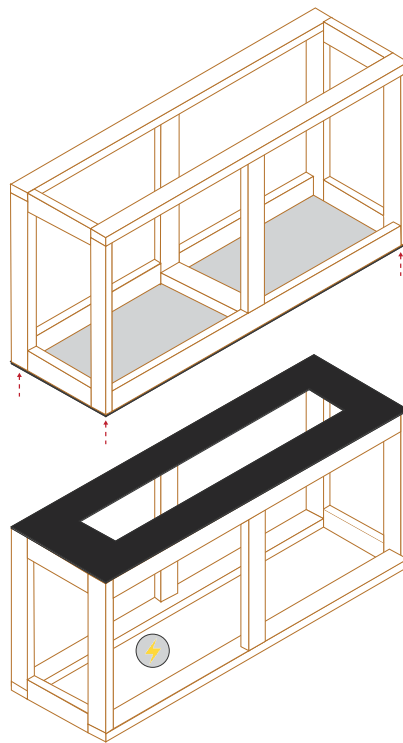
a) If your bioethanol burner requires electricity to be operated provide an electricity connection with easy access inside the framework. If your burner offers the opportunity to connect a Smart Home System any additional required cables should also be routed now. Check the burner manual for additional information.

B) Place the foco frame into the wall framework.

**NOTE:** For the fireplace to sit flush with the finished wall, make the Foco frame protrude out of the wall, equivalent to the thickness of the wall finishing material. On every side of the wall. *Illustration 1*

**The space inside the wall does not require any ventilation unless your burner is a Dimplex Cassette Opti-Myst water vapour fireplace.**

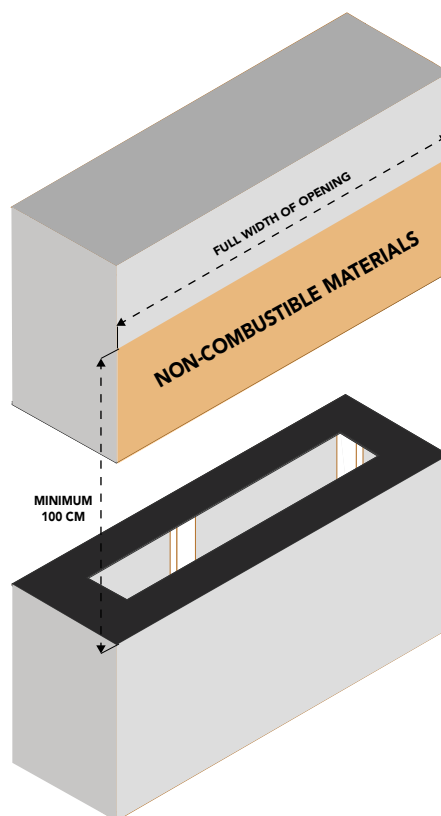
### 3.6.4 Fasten frame



a) Fasten the Foco frame to the framework through the holes in the top of the frame. Use a spirit level to make sure the frame is mounted at level.

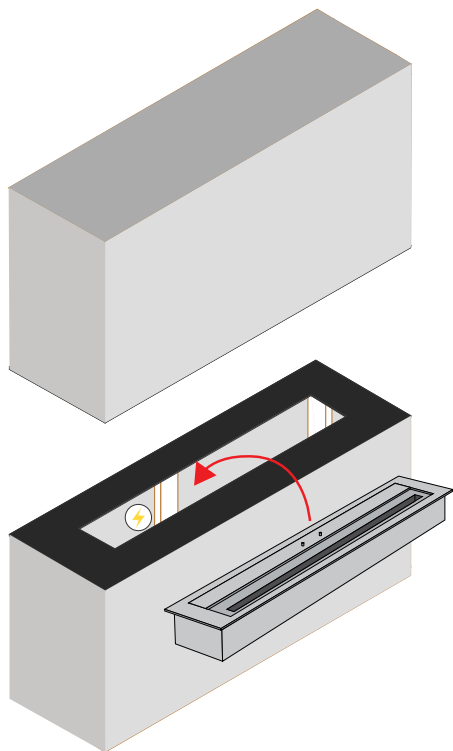
b) The weight of the bottom plate is usually enough to keep it in place. But if you want to secure it further, you can fasten it to the framework through the holes for the glass brackets using small screws. See 3.6.6 for fastening of glass brackets.

### 3.6.5 Complete wall construction

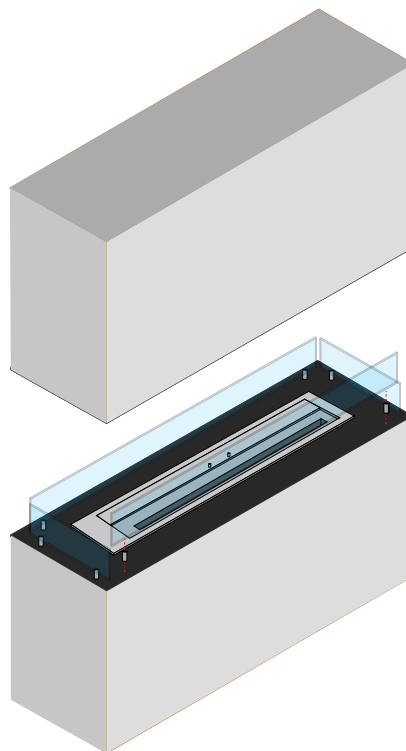


a) Complete the construction by finishing the wall panelling around the appliance with non-flammable materials. Do not use flammable materials like wood panels without consulting the manufacturer or testing the flammability of the wooden panels.

### 3.6.6 Burner installation and safety glass



a) Place the bioethanol burner into the Foco frame. If any mains connections are needed, connect them now.



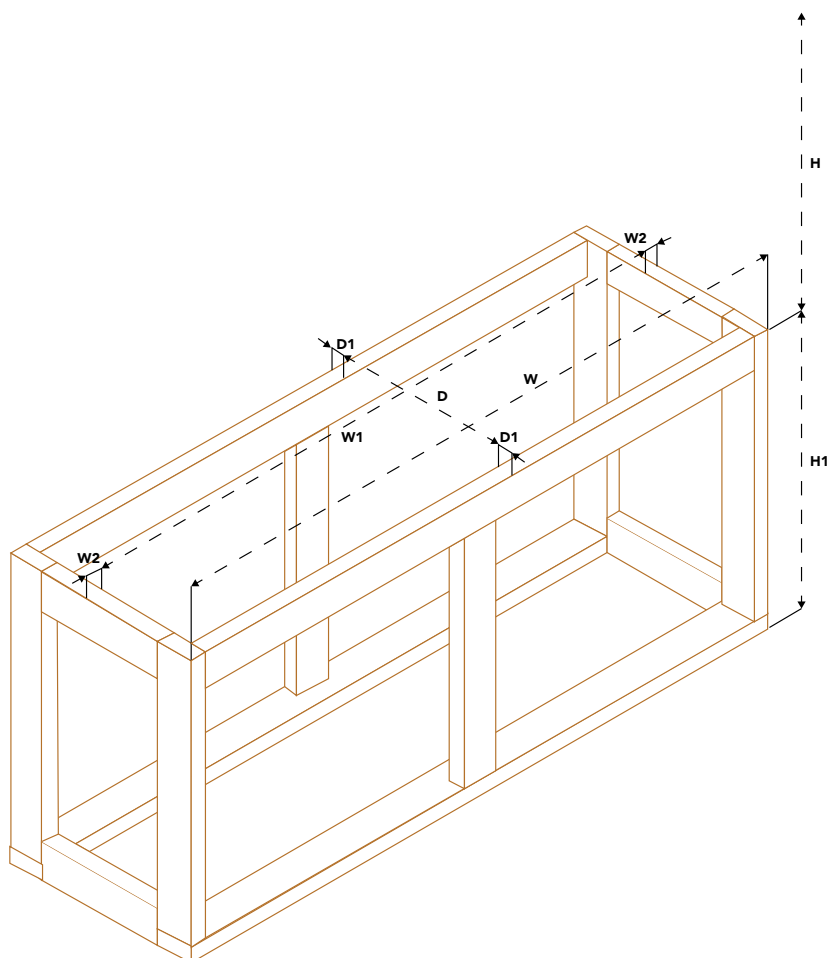
a) Place and fasten the included glass brackets with the included screws.

b) Place the glass into the brackets and tighten the fit, without adding unnecessary force.

## 3.7 Foco Four

### 3.7.1 Built framework

Construct the main wall framework in your preferred material with the opening size shown in Table G



! Height (H) is minimum recommended clearance above the burner.

**NOTE:** Remember to make room for heat-resistant insulation around the fireplace frame. Therefore the thickness of the insulation boards should be added to all dimensions noted with x. Bord thickness is often either 12.5mm or 15mm but can vary depending on the product you choose to use.

**Table G - Framework opening size**

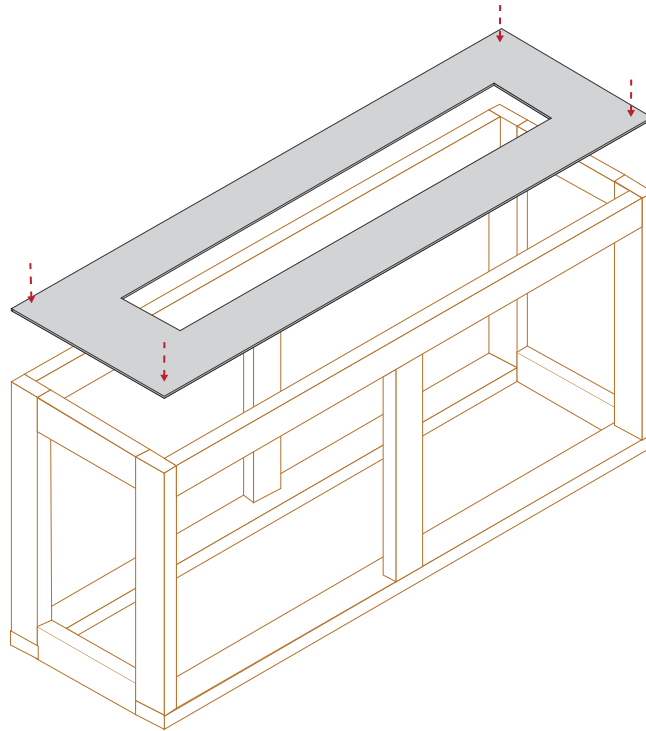
Foco model	W <sup>2</sup>	W1 min	W2 max	W3 max	D min <sup>2</sup>	D1 max	H	H1 min
	(mm)	(mm)	(mm)	(mm)	(mm)	(mm)	(mm)	(mm)
Foco Corner 800	800	600 <sup>1</sup>	80 <sup>1</sup>	80	400	110 <sup>1</sup>	400 + x	80
Foco Corner 1000	1000	800 <sup>1</sup>	80 <sup>1</sup>	80	400	110 <sup>1</sup>	400 + x	80
Foco Corner 1200	1200	1000 <sup>1</sup>	80 <sup>1</sup>	80	400	110 <sup>1</sup>	400 + x	80

x = Insulation Board Thickness

<sup>1</sup> Can vary depending on burner type. The dimensions shown are for a standard manual burner. Please check your specific required burner cutout size, if your fireplace is equipped with another burner.

<sup>2</sup> **IMPORTANT** - If you want the finished wall to go flush with the fireplace frame, you need to subtract the thickness of the wall finishing materials from the dimensions of the framework. This will make the Foco frame protrude from the framework equivalent to the thickness of the wall finishing materia. **See 3.7.3 for more information.**

### 3.7.2 Insulation board

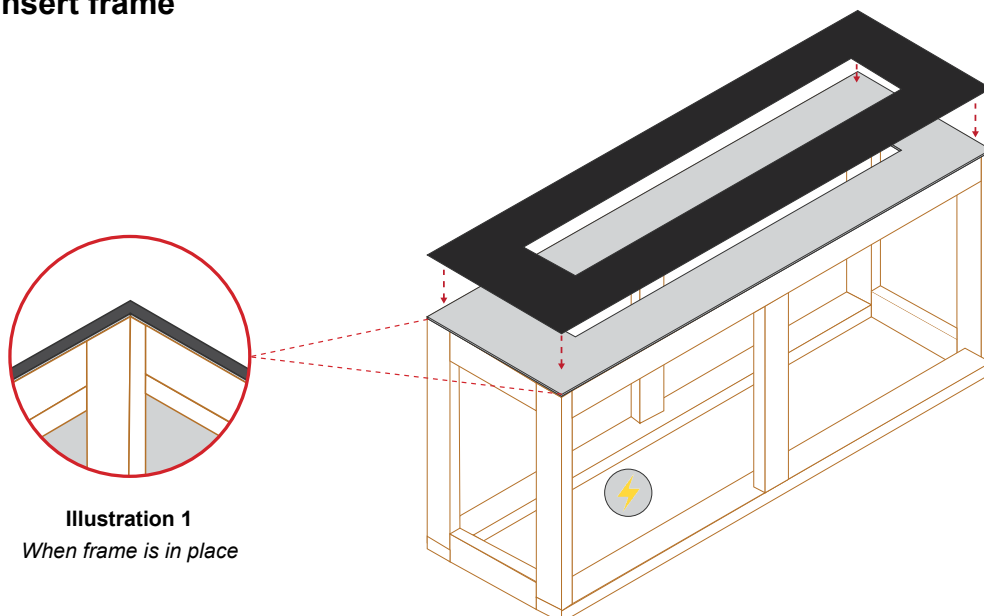


a) Cut your insulation board into size, so that it will fit your framework. Fasten it using a power drill and screws.

The insulation board is sold separately and can be purchased at your local hardware shop. See 2.2 Definition for more information about insulation boards.

The idea of the insulation boards is to create a heat-resistant spacer between the wooden wall frame and the fireplace frame so that there is no direct contact.

### 3.7.3 Insert frame



**Illustration 1**  
When frame is in place

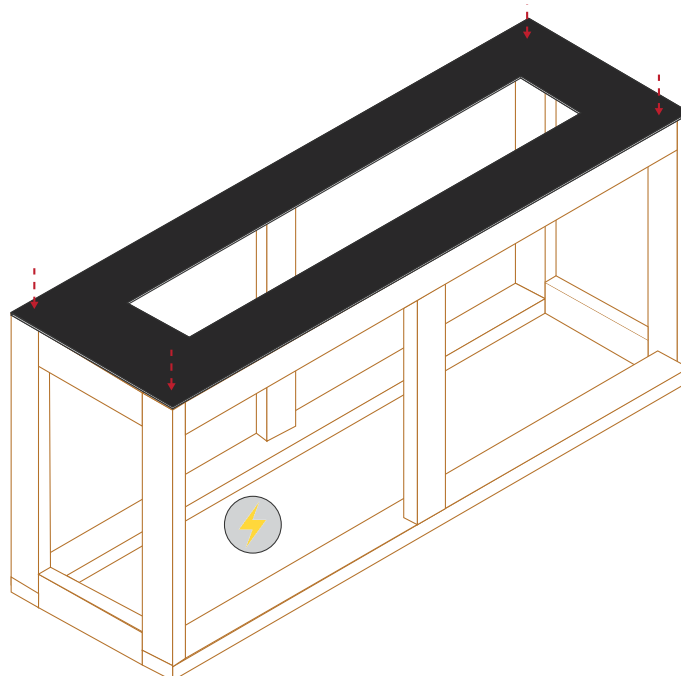
a) If your bioethanol burner requires electricity to be operated. Provide an electricity connection with easy access inside the framework. If your burner offers the opportunity to connect a Smart Home System any additional required cables should also be routed now. Check the burner manual for additional information.

b) Place the Foco frame onto the wall framework.

**NOTE:** For the fireplace to sit flush with the finished wall, make the Foco frame protrude out of the wall, equivalent to the thickness of the wall finishing material. On both sides of the wall. *Illustration 1*

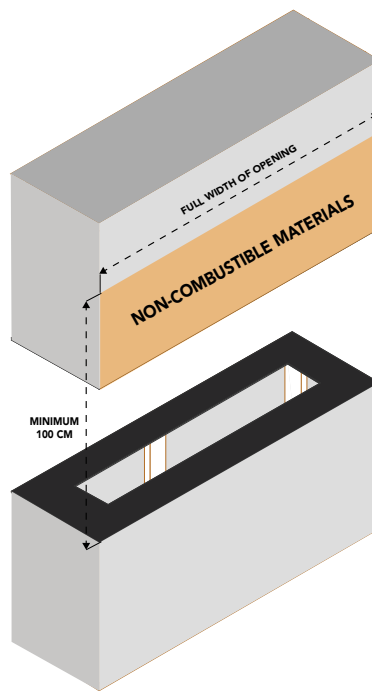
**The space inside the wall does not require any ventilation. Unless your burner is a Dimplex Cassette Opti-Myst water vapour fireplace.**

### 3.7.4 Fasten frame



a) The weight of the bottom plate is usually enough to keep it in place. But if you want to secure it further, you can fasten it to the framework through the holes for the glass brackets using small screws. See 3.7.6 for fastening of glass brackets.

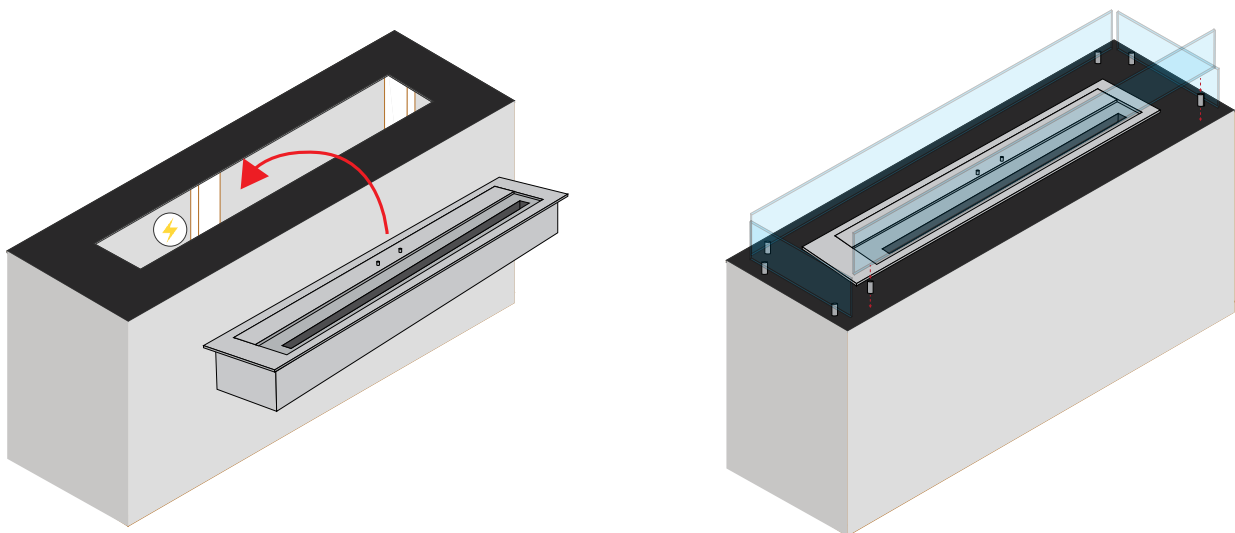
### 3.6.5 Complete wall construction



a) Complete the construction by finishing the wall panelling around the appliance.

b) Any construction or items placed within 1 meter above or next to the flames should be non-combustible materials.

### 3.7.6 Burner installation and safety glass



a) Place the bioethanol burner into the Foco frame. If any mains connections are needed, connect them now.

a) Place and fasten the included glass brackets with the included screws.

b) Place the glass into the brackets and tighten the fit, without adding unnecessary force.

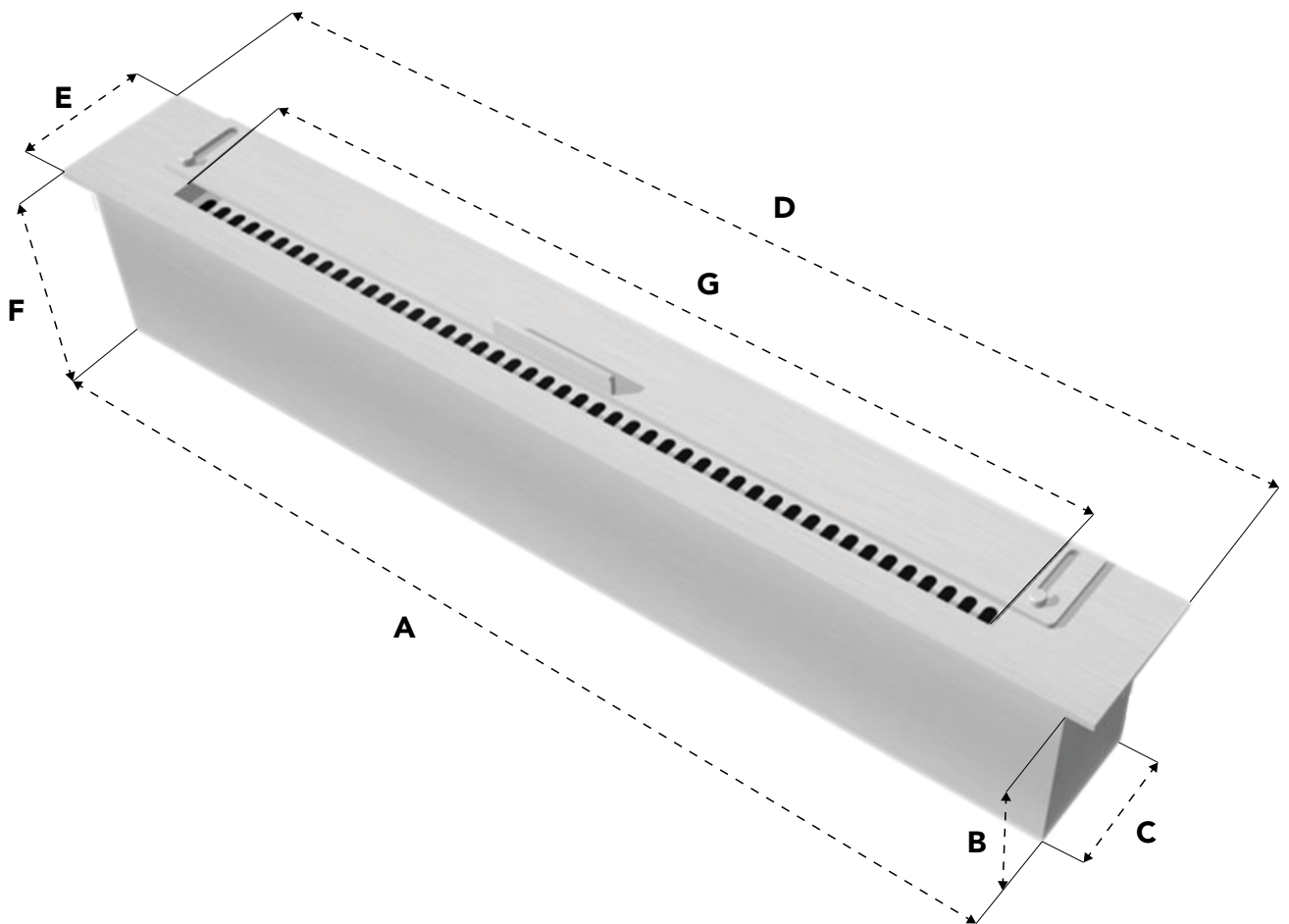


# 4. Burner Technical Specifications

## 4.1 Slimline Manual Burner

The Slimline Manual Burner is included with all *Ultra Slim Foco* fireplaces.

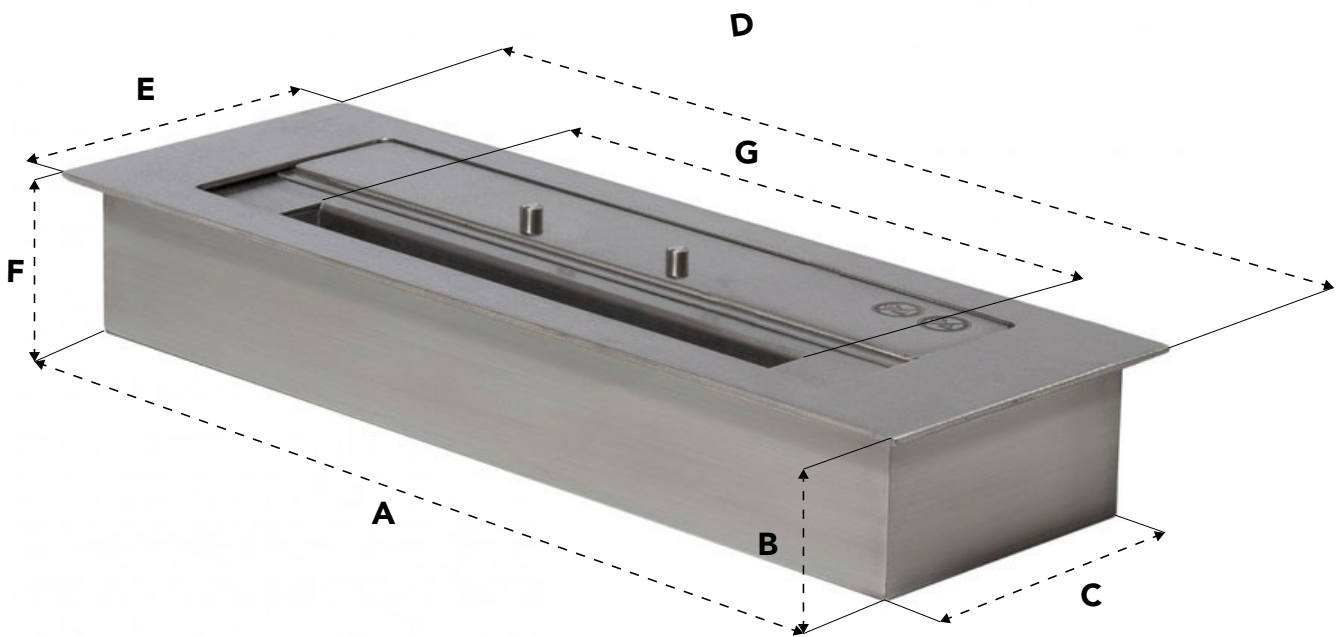
Slimline Manual Burner							
Burner model	A	B	C	D	E	F	G
	(mm)	(mm)	(mm)	(mm)	(mm)	(mm)	(mm)
Slimline 400	370	100	70	400	80	103	280
Slimline 600	570	100	70	600	80	103	420
Slimline 800	770	100	70	800	80	103	600
Cutout Dimensions							



## 4.2 Superior Manual Burner

The Superior Manual Burner is included as standard with all Foco fireplaces, except the *Ultra Slim* models.

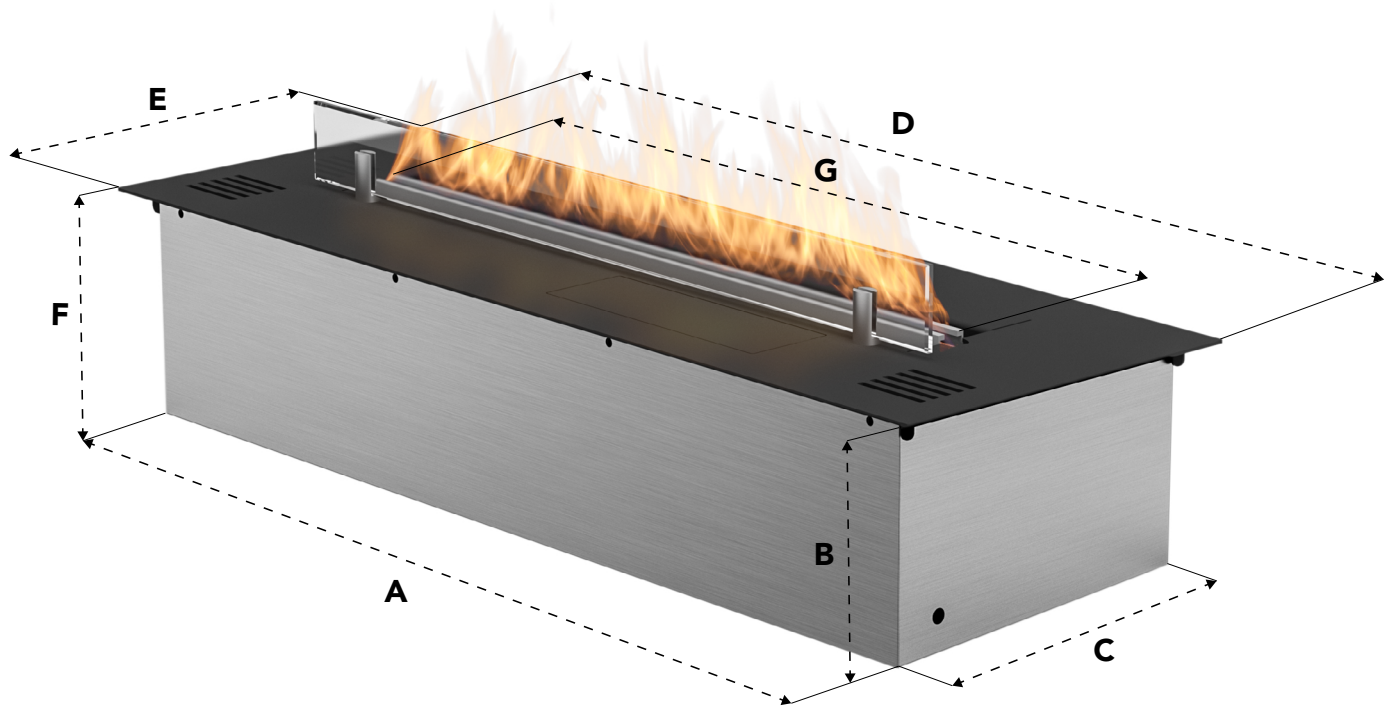
Superior Manual Burner							
Burner model	A	B	C	D	E	F	G
	(mm)	(mm)	(mm)	(mm)	(mm)	(mm)	(mm)
Superior 450	425	76	135	450	160	80	260
Superior 600	575	76	135	600	160	80	450
Superior 800	775	76	135	800	160	80	600
Superior 1000	975	76	135	1000	160	80	850
Cutout Dimensions							



### 4.3 Planika PrimeFire

The Planika PrimeFire burner is an additional purchase for multiple Foco fireplaces.

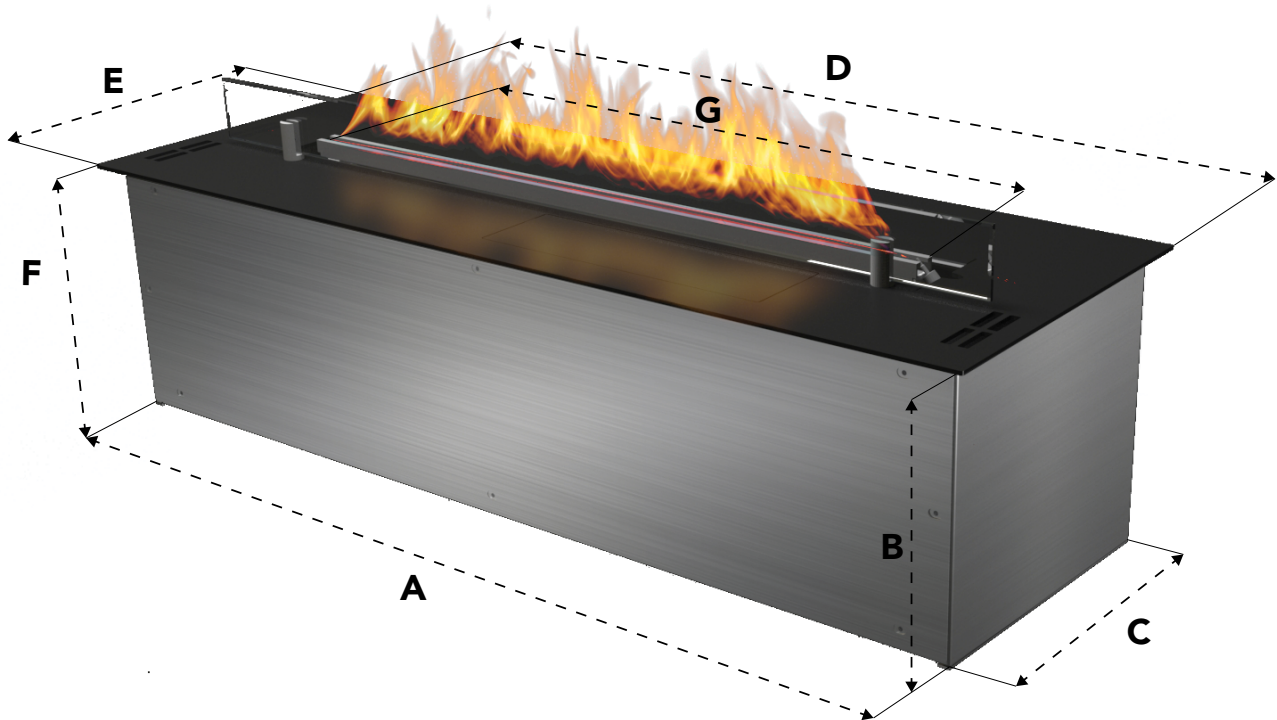
Planika PrimeFire Automatic Burner							
Burner model	A	B	C	D	E	F	G
	(mm)	(mm)	(mm)	(mm)	(mm)	(mm)	(mm)
PrimeFire 700	654	145	214	700	245	147	500
PrimeFire 990+	964	217	250	990	280	220	800
Cutout Dimensions							



## 4.4 Planika FLA3

The Planika Fire Line Automatic 3 burner (FLA3) is an additional purchase for multiple Foco fireplaces.

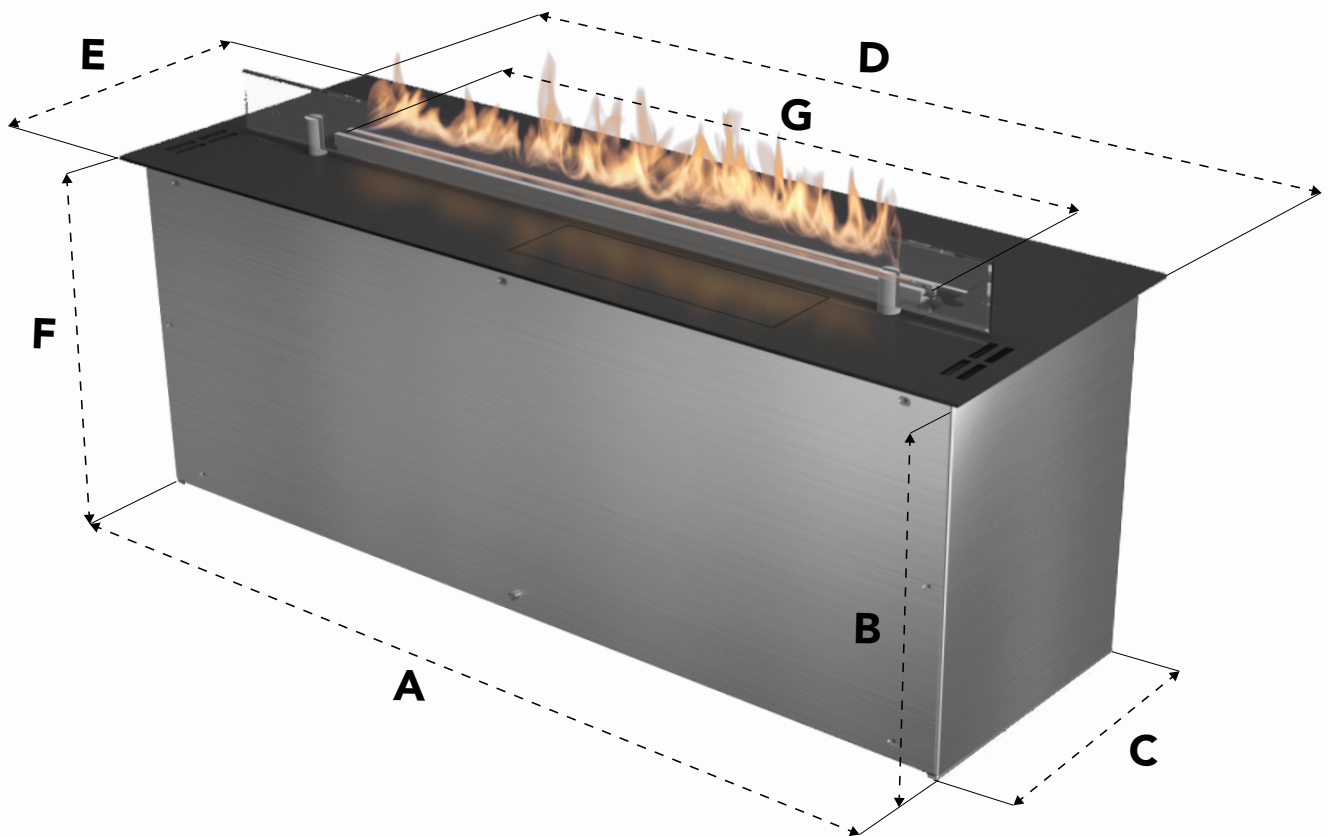
Planika FLA3							
Burner model	A	B	C	D	E	F	G
	(mm)	(mm)	(mm)	(mm)	(mm)	(mm)	(mm)
FLA3 790	764	217	250	790	280	220	600
FLA3 990	964	217	250	990	280	220	800
Cutout Dimensions							



## 4.4 Planika FLA3+

The Planika Fire Line Automatic 3+ burner (FLA3+) is an additional purchase for multiple Foco fireplaces.

Planika FLA3+							
Burner model	A	B	C	D	E	F	G
	(mm)	(mm)	(mm)	(mm)	(mm)	(mm)	(mm)
FLA3 790	764	302	250	790	280	305	600
FLA3 990	964	302	250	990	280	305	800
Cutout Dimensions							





[www.biofireplacegroup.com](http://www.biofireplacegroup.com)  
+44 1224 011575